

PRODUCT SPECIFICATION

**GAST**

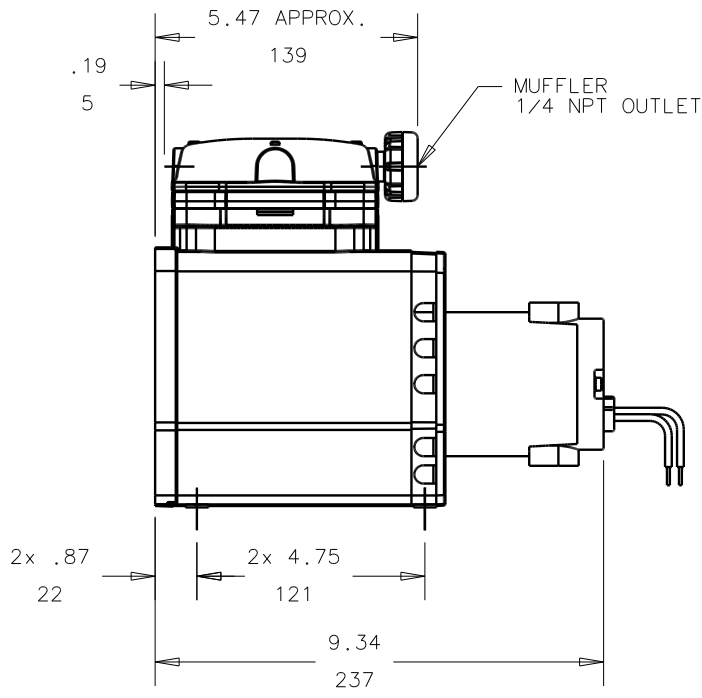
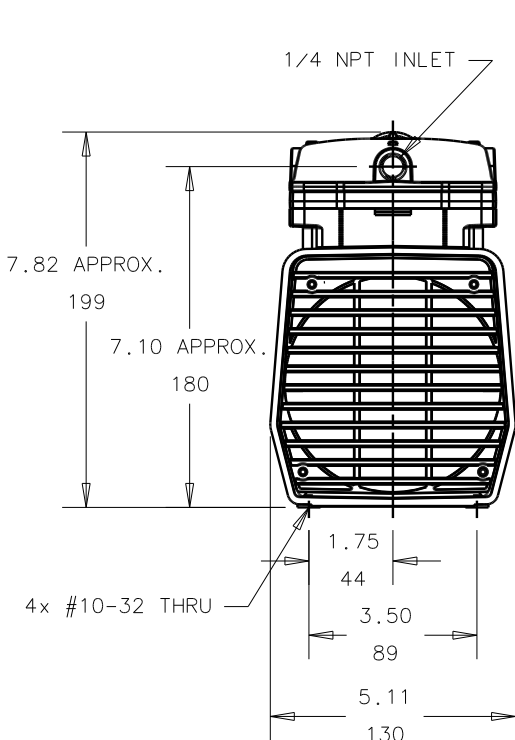
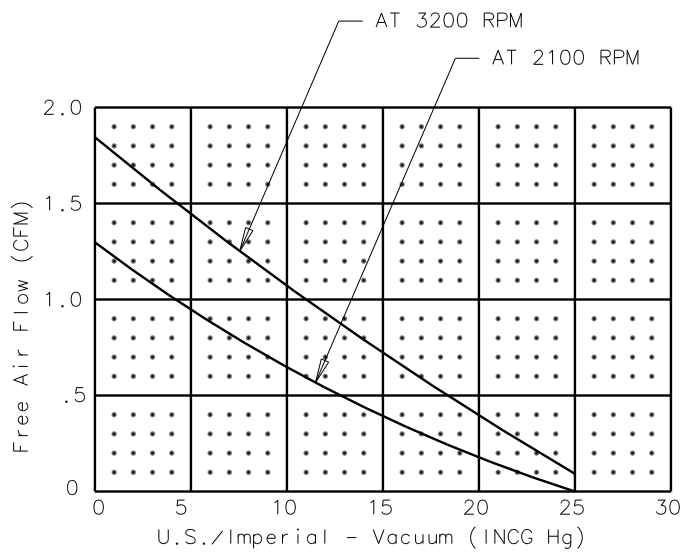
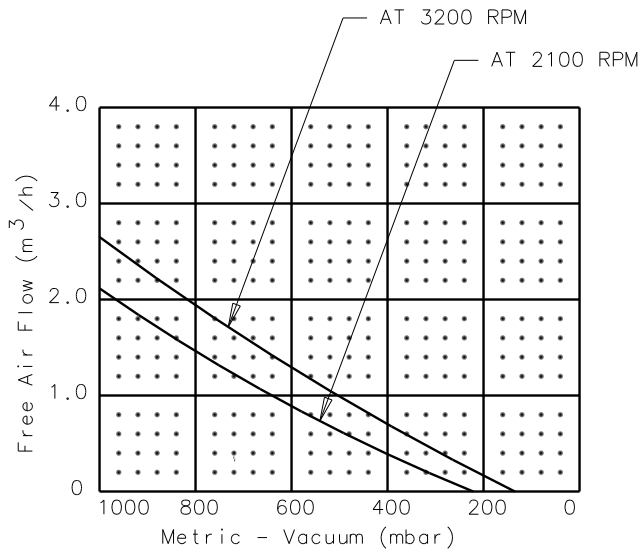
A UNIT OF **DEX** CORPORATION  
BENTON HARBOR, MI U.S.A.

|       |           |      |           |                        |
|-------|-----------|------|-----------|------------------------|
|       |           |      |           |                        |
| 2100  | <70 dB(A) | °C   | 20% - 80% | 12.75 LBS.<br>5.80 KG. |
| V     | HP        | kW   | Hz        | A                      |
| 24 DC | 1/8       | 0.09 | ---       | 5.8                    |

|             |             |
|-------------|-------------|
| PART NUMBER | REV.        |
| RTD524      | A           |
| MODEL NO.   | DOA-V502-JK |

NOTES:

1. ALL DIMENSIONS ARE FOR REF. USE ONLY.
2. PRODUCT DIMENSIONS: U.S. IMPERIAL (inches), METRIC (mm).
3. TECHNICAL DATA SUBJECT TO CHANGE WITHOUT NOTICE.
4. ENVIROMENT: CLEAN DUST FREE.
5. THIS MODEL REQUIRES ADDITIONAL CAPACITANCE TO BE APPLIED TO THE ELECTRICAL INPUT IN ORDER TO COMPLY WITH THE EMC DIRECTIVE. SEE SHEET 2 OF 2.



| PRODUCT SPECIFICATION |           |      |           |                        | <b>GAST</b><br>A UNIT OF <b>DEX</b> CORPORATION<br>BENTON HARBOR, MI U.S.A. |      |
|-----------------------|-----------|------|-----------|------------------------|---|------|
|                       |           |      |           |                        | PART NUMBER   | REV. |
| 2100                  | <70 dB(A) | °C   | 20% - 80% | 12.75 LBS.<br>5.80 KG. |   |      |
| V                     | HP        | kW   | Hz        | A                      | MODEL NO. DOA-V502-JK   |      |
| 24 DC                 | 1/8       | 0.09 | ---       | 5.8                    |   |      |

DOA-V502-JK = 1 x 0.47 mfd

