



GAST MANUFACTURING, INC.  
 A Unit of IDEX Corporation  
 Post Office Box 97  
 Benton Harbor, Michigan  
 Ph: 269/926-6171  
 Fax: 269/925-8288

PART NUMBER:

RTD159

REV.

E

Product Specifications

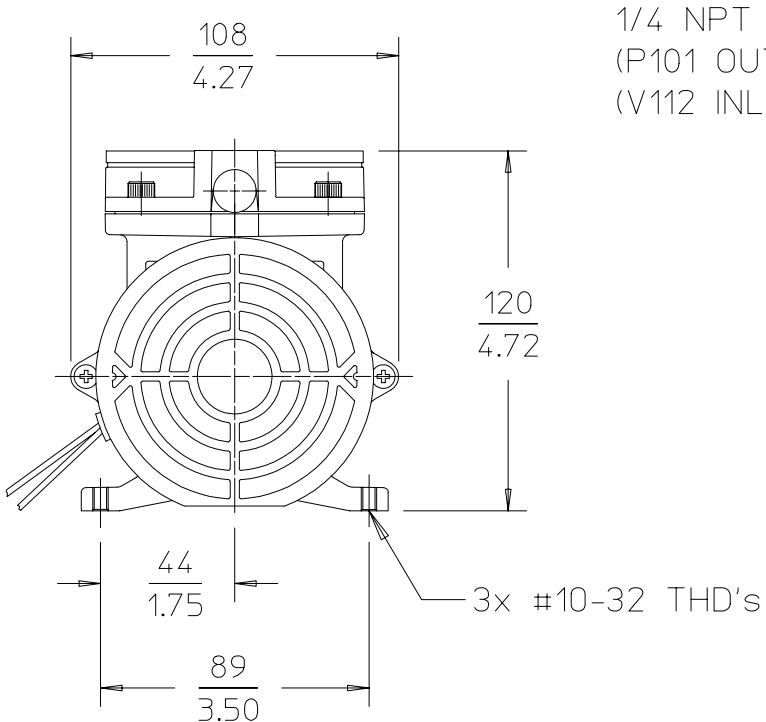
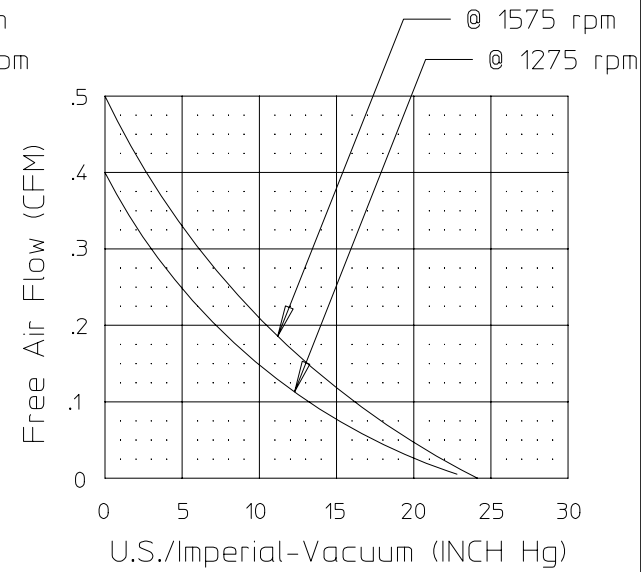
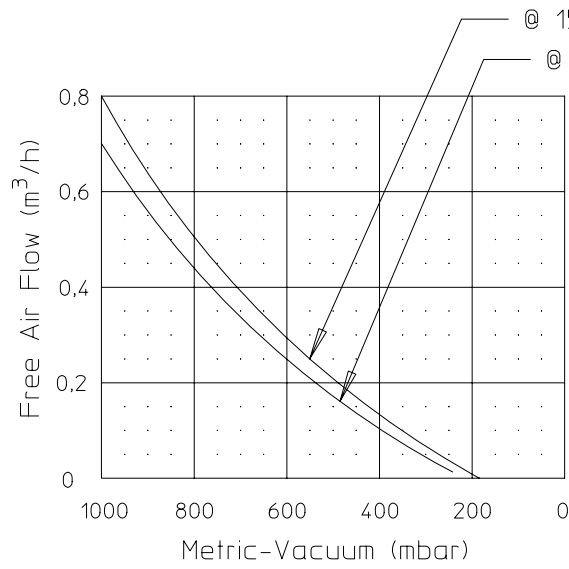
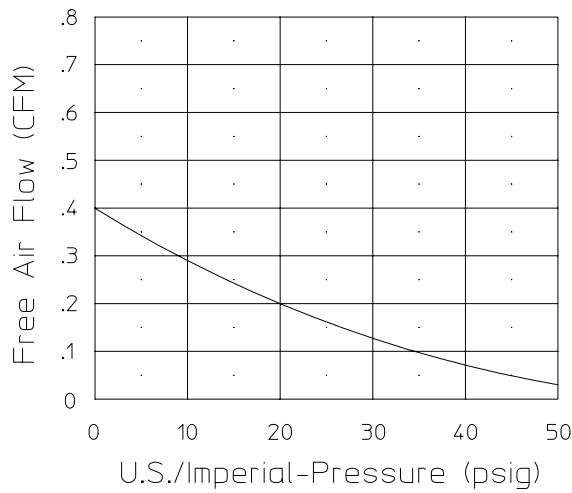
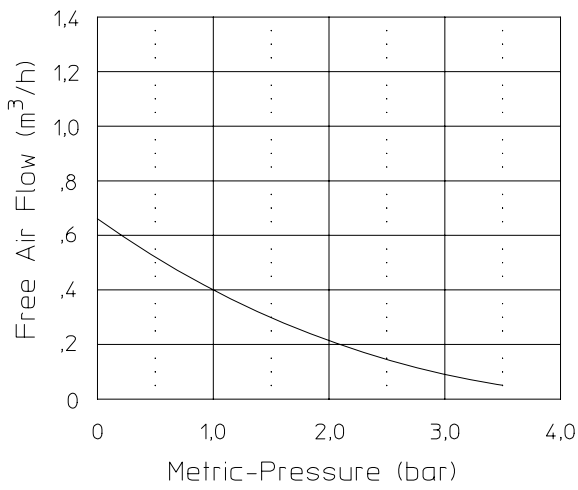
Model Number	Motor	RPM		HP	kW	Net Wt.		AMPS	CAPACITOR mfd. - volts
		60 cycle	50 cycle			lbs.	kg		
MOA-P101-AE	110-1	----	1275	1/16	0,05	5.3	2,4	2.2	----
MOA-V110-AE	115/110-1	1575	1275	1/16	0,05	5.63	2,56	1.8/2.2	----
MOA-V112-AE	115/110-1	1575	1275	1/16	0,05	5.63	2,56	1.8/2.2	----

SOUND LEVEL Less than 70 dB(A)  
 NORMAL AMBIENT +5 degC - +40 degC  
 RELATIVE HUMIDITY 20% - 80%  
 ENVIRONMENT Clean Dust Free

NOTES:

1. ALL DIMENSIONS ARE FOR REFERENCE USE ONLY.
2. PRODUCT DIMENSIONS: U.S. IMPERIAL (inches) METRIC (mm).
3. \* = TECHNICAL DATA SUBJECT TO CHANGE WITHOUT NOTICE.
4. INSTALLATION: THIS PUMP MUST BE INSTALLED IN AN ENCLOSURE.

PRODUCT PERFORMANCE



1/4 NPT  
 (P101 OUTLET W/ORIFICE PLUG)  
 (V112 INLET)

