

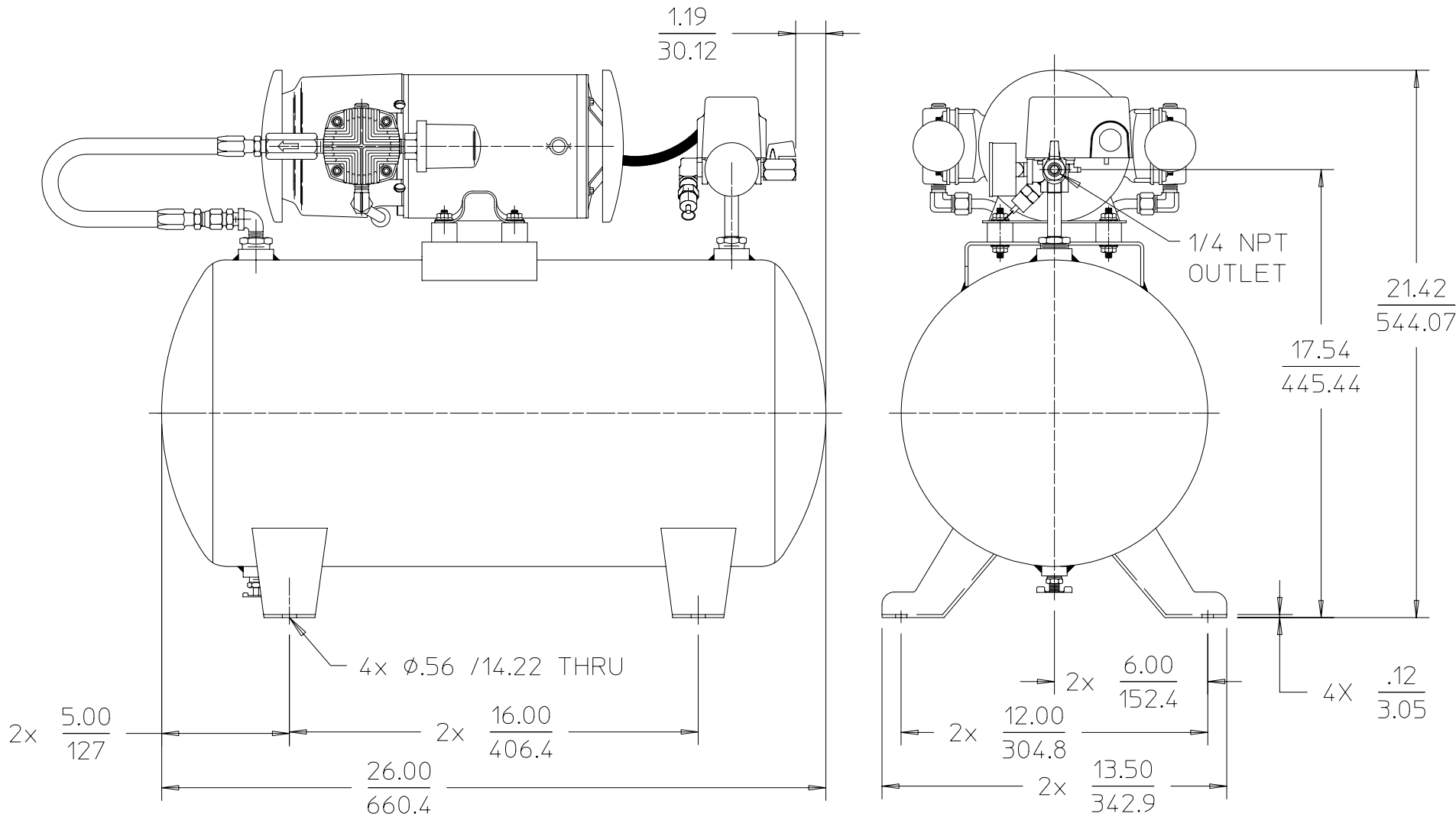
# Product Specifications



GAST MANUFACTURING, INC.  
 A Unit of IDEX Corporation  
 Post Office Box 97  
 Benton Harbor, Michigan  
 Ph: 269/926-6171  
 Fax: 269/925-8288

Model	V	HP	kW	Hz	Part Number:	Revision
3LBA-46T-M300GX	115	1/3	0.25	60	RTD730	A

1725    
 <75dBA    
 +5    
 +40 °C    
 20-80    
 80 lbs. / 36 kg



**NOTES:**

1. ALL DIMENSIONS ARE FOR REFERENCE USE ONLY.
2. PRODUCT DIMENSIONS: U.S. IMPERIAL (inches) METRIC (mm).
3. TECHNICAL DATA SUBJECT TO CHANGE WITHOUT NOTICE.
4. ENVIRONMENT: CLEAN DUST FREE.
5. FACTORY SETTING: CUT-IN 30 PSI  $\pm$  2 PSI/CUT-OUT 50 PSI  $\pm$  2 PSI.

**PRODUCT PERFORMANCE**

