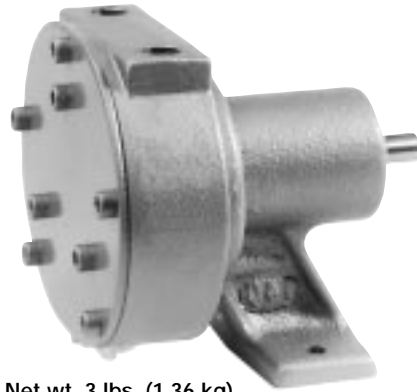




Separate Drive Rotary Vane to 2.2 cfm



Oilless 1034, 1534 Series

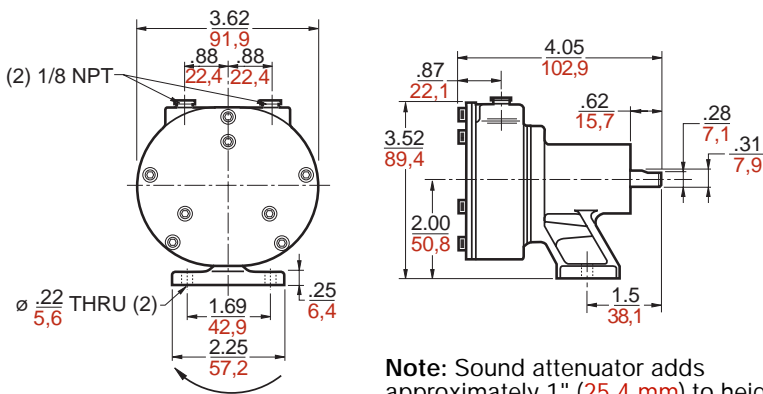


Units shown without sound attenuator.

Net wt. 3 lbs. (1,36 kg)

Product Dimensions (mm, inches)

Dimensions are for reference only.



Note: Sound attenuator adds approximately 1" (25,4 mm) to height.

MODEL 1034-101

20" HG MAX. VAC., FLOW TO 1.57 CFM
10 PSI MAX. PRESSURE

MODEL 1534-101

20" HG MAX. VAC., FLOW TO 2.2 CFM
10 PSI MAX. PRESSURE

PRODUCT FEATURES

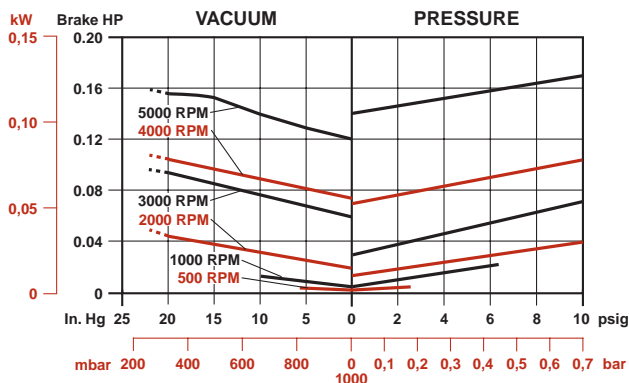
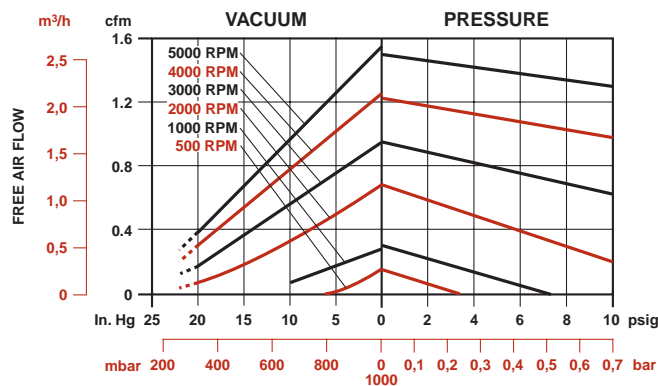
- Oilless, pulse free operation
- Rugged construction/low maintenance
- Low noise levels
- Internal sound suppression/filtration
- Includes sound attenuator VG2016 (unattached)

RECOMMENDED ACCESSORIES

- Vacuum relief valve AA204
- Vacuum gauge AA641
- Pressure relieve valve AA203
- Pressure gauge AA642
- Coupling (.31" x .31") AE540E
- Repair kit K497

Product Performance (Metric, U.S.)

Model 1034



Model 1534

