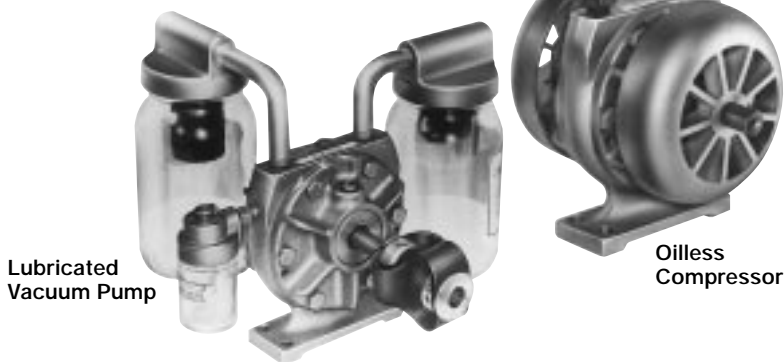




Separate Drive Rotary Vane 1.9, 4.0 and 6.0 cfm

Lubricated or Oilless 0240, 0440, 0740 Series



Lubricated Vacuum Pump

Oilless Compressor

MODEL 0240 SERIES

LUBRICATED:

15" HG MAX. VAC., 1.9 CFM OPEN FLOW
10 PSI MAX. PRESSURE

OILLESS:

20" HG MAX. VAC., 1.9 CFM OPEN FLOW,
10 PSI MAX. PRESSURE

MODEL 0440 SERIES

LUBRICATED:

15" HG MAX. VAC., 4.0 CFM OPEN FLOW
10 PSI MAX. PRESSURE

OILLESS:

20" HG MAX. VAC., 4.0 CFM OPEN FLOW
10 PSI MAX. PRESSURE

MODEL 0740 SERIES

LUBRICATED:

10" HG MAX. VAC., 6.0 CFM OPEN FLOW

OILLESS:

20" HG MAX. VAC., 6.0 CFM OPEN FLOW
10 PSI MAX. PRESSURE

PRODUCT FEATURES

- Lubricated or oilless operation
- Rugged construction/low maintenance
- Essentially pulse-free service

INCLUDES

Lubricated

- Oiler AA930B (0240/0440) AA930C (0740) – Vacuum Pumps
- Oiler AA930F – Compressors
- Coupling assembly AE541A
- Muffler V425C (0240/0440), V500D (0740)
- Filter V400C (0240/0440)
- Filter B343B – Compressors

Oilless

- Muffler V425A (0240/0440), V525A (0740)
- Filter V400G (0240), V400C (0440), V500D (0740)
- Filter B343B – Vacuum Pump & Compressor
- Cooling fan (B340C)

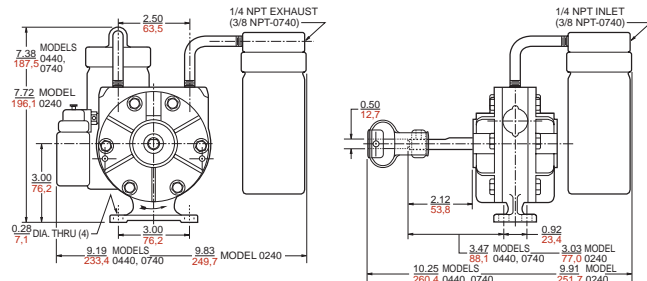
RECOMMENDED ACCESSORIES

- Base AB324 (0240), AB325 (0440/0740)
- Vacuum relief valve AA207 (0240), AA840A (0440/0740)
- Vacuum gauge AA640
- Pressure relief valve AA205 (0240), AA600 (0440)
- Pressure gauge AA644B
- Coupling AE541A (.50" x .50") – Oilless Models
- Coupling guard AE873
- Repair kit K225A (0240) K227A (0440), K229A (0740) – Oilless Models
- Repair kit K224A (0240), K226A (0440), K228A (0740) – Lubricated Models
- Oil AD220 – Lubricated Models

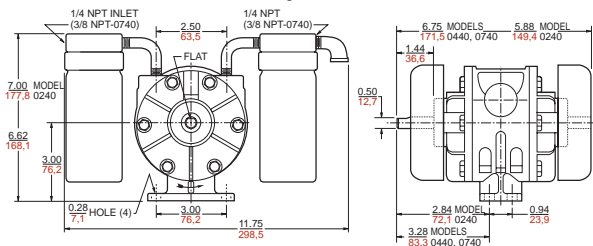
Product Dimensions (mm, inches)

Dimensions are for reference only.

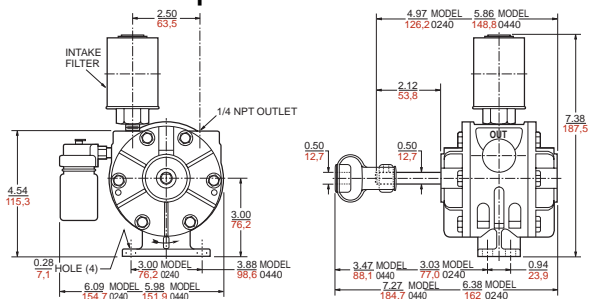
Lubricated Vacuum Pump



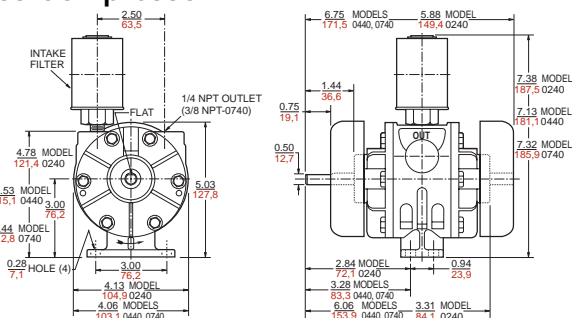
Oilless Vacuum Pump



Lubricated Compressor



Oilless Compressor



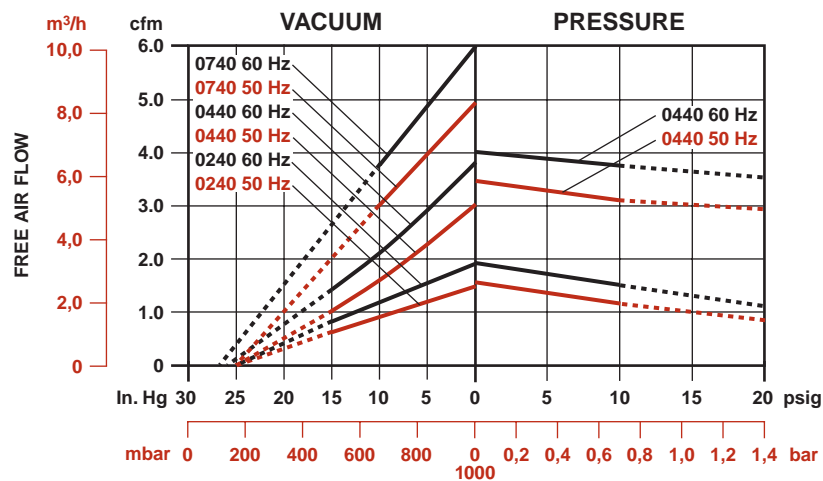
Product Specifications

Note: "P" models are pressure, "V" models are vacuum.

Model Number	Motor	RPM		HP	kW	Coupling Guard	Base	Coupling	Net Wt.	
		60 cycle	50 cycle						lbs.	kg
LUBRICATED										
0240-P10B	Not included	1725	1425	1/4	0,19				7	3,2
0240-V2C	Not included	1725	1425	1/4	0,19			•	9	4,1
0440-P11B	Not included	1725	1425	1/4	0,19				9	4,1
0440-V2C	Not included	1725	1425	1/4	0,19			•	11	5,0
0740-V2A	Not included	1725	1425	1/3	0,25			•	12	5,4
OILLESS										
0240-P103A	Not included	1725	1425	1/4	0,19				7	3,2
0240-V105A	Not included	1725	1425	1/4	0,19				10	4,5
0440-P103A	Not included	1725	1425	1/4	0,19				9.5	4,3
0440-V105A	Not included	1725	1425	1/4	0,19				12	5,4
0440-V109B	Not included	1725	1425	1/4	0,19	•	•	•	17	7,7
0740-P106A	Not included	1725	1425	1/3	0,25				10	4,5
0740-P112B	Not included	1725	1425	1/3	0,25	•	•	•	16	7,2
0740-V104A	Not included	1725	1425	1/3	0,25				12	5,4
0740-V114B	Not included	1725	1425	1/3	0,25	•	•	•	20	9,0

Product Performance (Metric, U.S.)

Lubricated



Oilless

