



**Lubricated Vacuum Pump**



**Oilless Compressor**

## Lubricated or Oilless 3040 Series

### MODEL 3040 SERIES

- 20" HG MAX. VAC.
- 10 PSI MAX. PRESSURE
- 31 CFM OPEN FLOW (OILLESS)
- 40 CFM OPEN FLOW (LUBRICATED)

#### PRODUCT FEATURES

- Lubricated or oilless operation
- Pulley driven (multiple speeds available)
- Rugged construction/low maintenance
- Essentially pulse-free service

#### INCLUDES

- Filter AA900D (Oilless), AB650C (Lubricated) – Vacuum Pumps
- Filter AD750 – Compressors
- Muffler AA900F (Oilless), AA900E (Lubricated) – Vacuum Pumps
- Oil reservoir AA960A-1
- Vacuum-actuated lubricator V40C (Lubricated)
- Pressure lubricator AD730
- 6.5" P.D. pulley AC374B
- Fan AD236 – Vacuum Pumps and Oilless Compressor

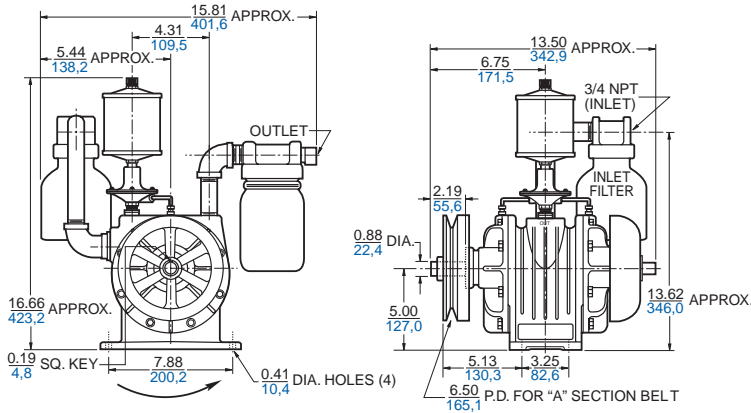
#### RECOMMENDED ACCESSORIES

- Base AB898A – Vacuum Pumps
- Base AB898B – Compressors
- Belt guard AB331A
- Vacuum relief valve AA308
- Pressure relief valve AA307
- Vacuum gauge AA640
- Pressure gauge AA644B
- Oil AD220 (Lubricated)
- Check valve AH326A – Vacuum Pumps
- Repair kit K233A (Oilless), K232A (Lubricated)

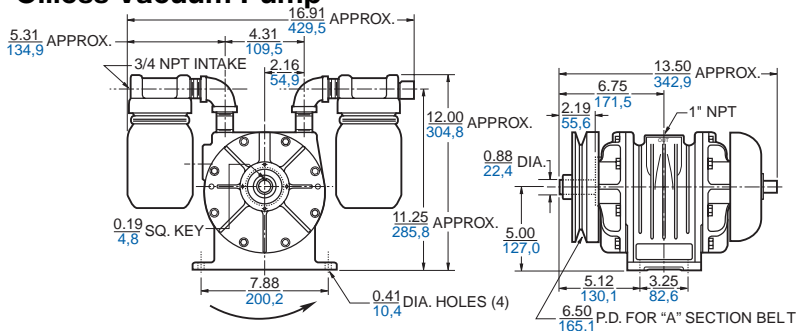
### Product Dimensions (mm, inches)

Dimensions are for reference only.

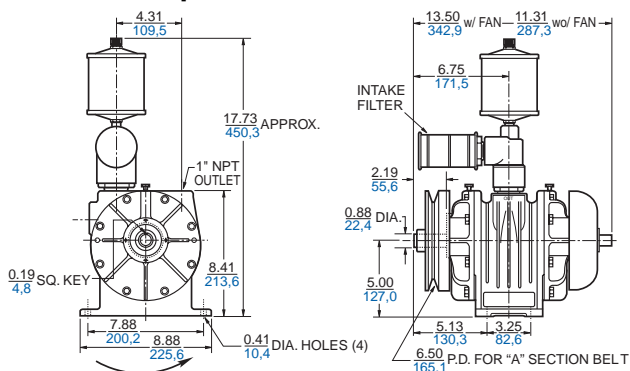
#### Lubricated Vacuum Pump



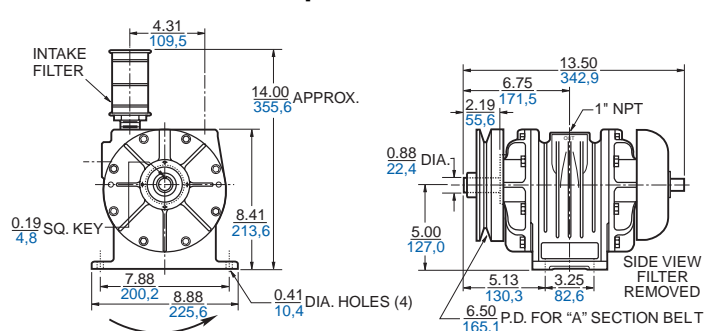
#### Oilless Vacuum Pump



#### Lubricated Compressor



#### Oilless Compressor





## Product Specifications

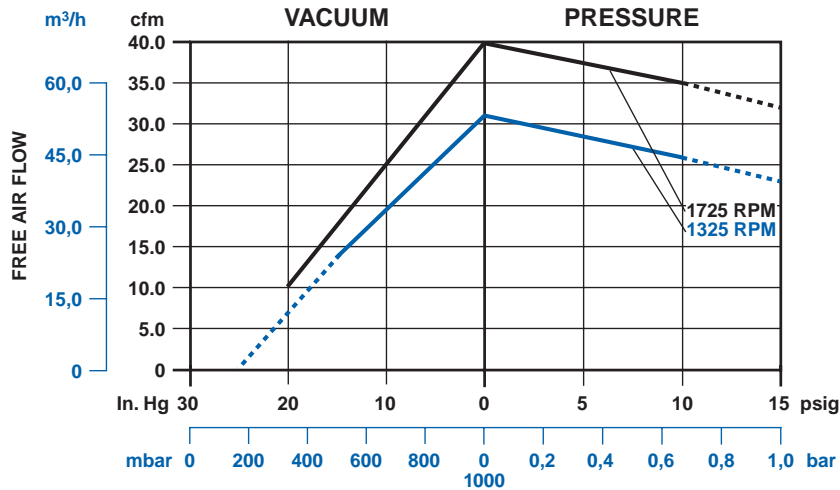
Note: "P" models are pressure, "V" models are vacuum.

Model Number	Motor	Base	Belt Guard	RPM	HP	kW	Net Wt.	
							lbs.	kg
<b>LUBRICATED</b>								
3040-P17A	—			1325	2	1,5	65	29,3
3040-P32B	—			1725	5	3,7	67	30,2
3040-V20B	—			1325	1½	1,1	69	31,1
3040-V29B	—			1725	2	1,5	71	32,0
3040-V29B-SD150-1*	415-50-3	•	•	1725	2	1,5	139	62,6
<b>OILLESS</b>								
3040-P118B	—			1060	1½	1,1	64	28,8
3040-P119F	—	•	•	1060	1½	1,1	94	42,3
3040-P120F-T336	230/460-60-3	•	•	1060	1½	1,1	126	56,7
3040-P119G	—	•	•	1325	3	2,2	98	44,1
3040-P120G-T338	230/460-60-3	•	•	1325	3	2,2	130	58,5
3040-P118B-SD110-1*	220/240-380/ 415-50-3 TEFC	•	•	1060	1½	1,1	130	58,5
3040-V115A	—			1325	2	1,5	70	31,5
3040-V116E	—	•	•	1060	1½	1,1	100	45,0
3040-V117E-T336	230/460-60-3	•	•	1060	1½	1,1	145	65,3
3040-V116F	—	•	•	1325	2	1,5	100	45,0
3040-V117F-T337	230/460-60-3	•	•	1325	2	1,5	148	66,6
3040-V115A-SD110-1*	220/240-380/ 415-50-3 IP54	•	•	1060	1½	1,1	145	65,3
3040-V115A-SD150-1*	415-50-3	•	•	1325	2	1,5	148	66,6

\*Available only in Europe.

## Product Performance (Metric, U.S.)

### Lubricated



### Oilless

