

Separate Drive Rotary Vane 17 and 21 cfm



Lubricated Vacuum Pump



Oilless Compressor

Lubricated Compressor

Lubricated or Oilless 2067, 2567 Series

MODEL 2067 SERIES

LUBRICATED:

28" HG MAX. VAC., 17 CFM OPEN FLOW
15 PSI MAX. PRESSURE

OILLESS:

27" HG MAX. VAC., 17 CFM OPEN FLOW
15 PSI MAX. PRESSURE

MODEL 2567 SERIES

LUBRICATED:

28" HG MAX. VAC., 21 CFM OPEN FLOW
15 PSI MAX. PRESSURE

OILLESS:

27" HG MAX. VAC., 21 CFM OPEN FLOW
15 PSI MAX. PRESSURE

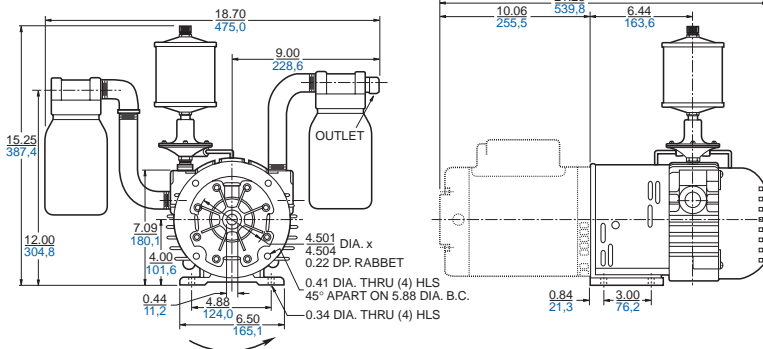
Product Dimensions (mm, inches)

Dimensions are for reference only.

Lubricated Versions

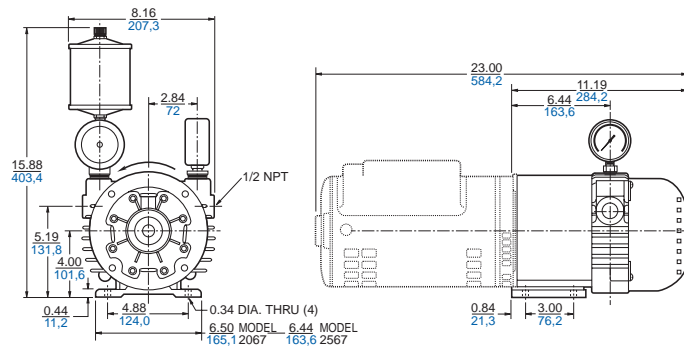
VACUUM PUMP (U.S. MODELS)

NEMA 56 FRAME, C FACE, INLET 3/4 IN. NPT



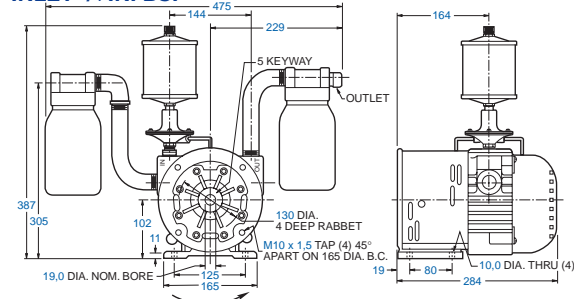
COMPRESSOR (U.S. MODELS)

NEMA 56 FRAME, C FACE, INLET 3/4 IN. NPT



VACUUM PUMP (METRIC MODEL)

INLET 3/4 IN. BSP



PRODUCT FEATURES

- Close coupled/easy motor mounting
- Rugged construction/low maintenance
- Essentially pulse-free service

INCLUDES

- Fan guards AC102C, AH194A
- Fan/coupling assembly AH198
- Filter AA900D (Vacuum Pump) – Lubricated
- Filter AC435 (Compressor) – Lubricated
- Muffler AA900E (Vacuum Pump) – Lubricated
- Filter AA905G (Compressor) – Oilless
- Muffler AA900F (Vacuum Pump) – Oilless
- Oil reservoir AA960-1
- Vac lubricator V40C
- Pressure lubricator AA95A
- Pressure gauge AA644B (U.S.) – Lubricated

RECOMMENDED ACCESSORIES

- Vacuum relief valve AA308 (U.S. Models)
- Vacuum gauge AA640 (U.S. Models)
- Pressure relief valve AA307 (U.S. Models)
- Pressure gauge AA644B – Oilless
- Oil AD220
- Repair kit K349 – Lubricated
- Repair kit K350 – Oilless



Product Specifications

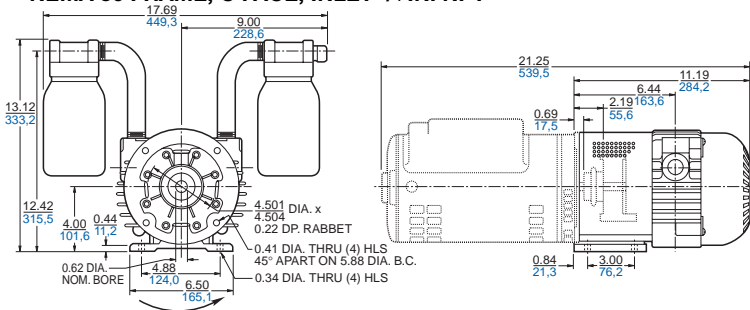
Note: "P" models are pressure, "V" models are vacuum.

Model Number	Motor	RPM		HP	kW	Net Wt.	
		60 Hz	50 Hz			lbs.	kg
LUBRICATED							
2067-P2	Not included	1725	1425	1½	1,1	46	20,7
2067-V1	Not included	1725	1425	1½	1,1	55	24,8
2567-P2	Not included	1725	1425	2	1,5	48	21,6
2567-V1	Not included	1725	1425	1½	1,1	51	23,0
2567-V3 (metric)	Not included	1725	1425	1½	1,1	51	23,0
2567-V5-G471 (like 2567-V1 plus motor)	230/460-60-3	1725	—	1½	1,1	93	41,9
2567-V3-CC110-1*	220/240-380/415-50-3	—	1425	1½	1,1	93	41,9
OILLESS							
2067-P102	Not included	1725	1425	1½	1,1	47	21,2
2067-V103	Not included	1725	1425	1½	1,1	55	24,8
2067-V105 (metric)	Not included	1725	1425	1½	1,1	55	24,8
2067-V107-G561X (like 2067-V103 plus motor)	110/220-240; 115/208-230;50/60-1	1725	1425	1	0,75	84	37,8
2567-P102	Not included	1725	1425	2	1,5	46	20,7
2567-V103	Not included	1725	1425	1½	1,1	49	22,1
2567-V105 (metric)	Not included	1725	1425	1½	1,1	49	22,1
2567-V107-G471 (like 2567-V103 plus motor)	230/460-60-3	1725	—	1½	1,1	91	41,0
2567-V105-CC110-1*	220/240-380/415-50-3	—	1410	1½	1,1	93	41,9

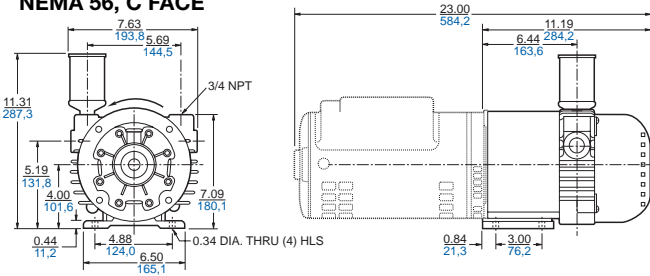
*Available only in Europe.

Oilless Versions

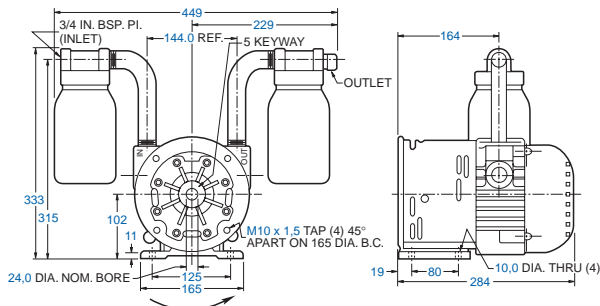
VACUUM PUMP (U.S. MODELS)
NEMA 56 FRAME, C FACE, INLET ¾ IN. NPT



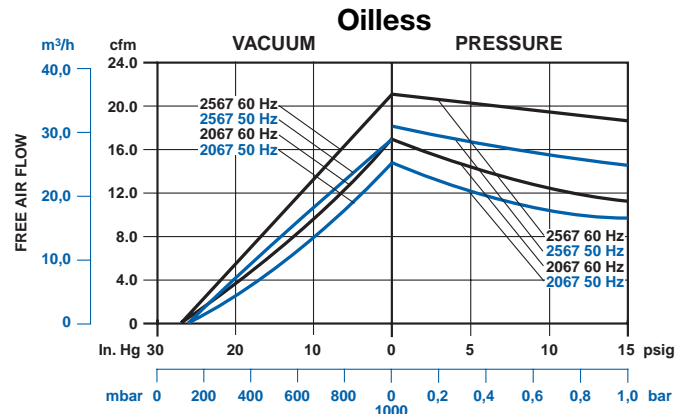
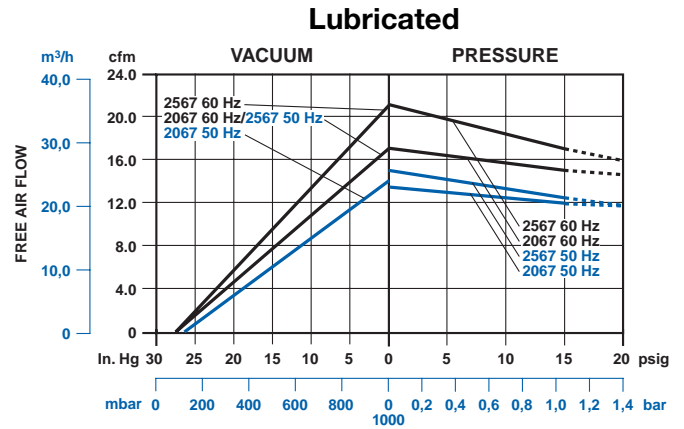
COMPRESSOR (U.S. MODELS)
NEMA 56, C FACE

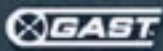


VACUUM PUMP (METRIC MODELS)
INLET ¾ IN. BSP



Product Performance (Metric, U.S.)





Oilless 2567 Series

MODEL 2567 SERIES DUAL FUNCTION

Ideal for graphic arts applications where simultaneous vacuum and pressure are needed.

**MAX. VAC. (WITH 5 PSI BACK PRESSURE)
20" HG, OPEN FLOW (VAC. SIDE) 15 CFM**

PRODUCT FEATURES

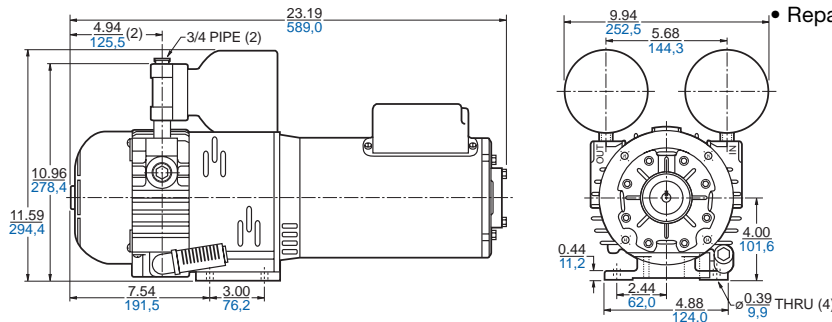
- Oilless operation
- Dual pump performance with (1) pump/motor
- "Universal" motor included
- Rugged construction/low maintenance

RECOMMENDED ACCESSORIES

- Vacuum gauge AA640
- Pressure gauge AA644B
- Repair kit K350

Product Dimensions (mm, inches)

Dimensions are for reference only.



Product Specifications

Model Number	Motor	RPM		HP (60 Hz)	kW (60 Hz)	Net Wt.	
		60 Hz	50 Hz			lbs.	kg
2567-D122-G561X	115/208-230-60-1	1725	1425	1	0,75	90	40,5
	110/200-240-50-1						
2567-D122-G471	208-230/460-60-3	1725	1425	1½	1,1	90	40,5
	220/380-415-50-3						

Product Performance (Metric, U.S.)

