



0532 DC

1032 AC

Dimensions are for reference only. Only AC motor options shown.
Note: Sound attenuator adds approximately 1" (25,4 mm).

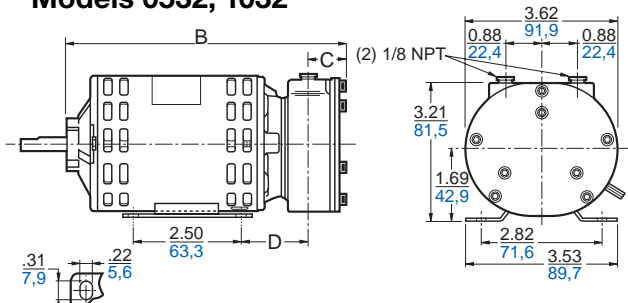


Units shown without sound attenuator.

Product Dimensions (mm, inches)

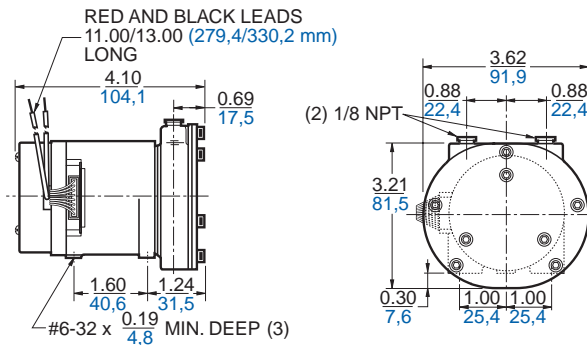
Model	B	C	D	Model	B	C	D
0532	166,6	17,5	33,5	0532	6.56	0.69	1.32
1032	176,0	22,1	38,4	1032	6.93	0.87	1.51

Models 0532, 1032

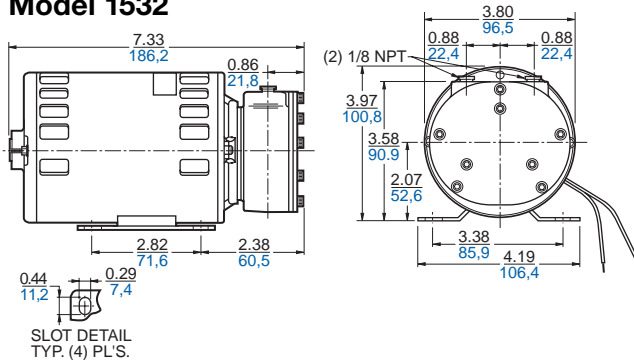


SLOT DETAIL
TYP. (4) PL'S.

Model 0532 24V BLDC



Model 1532



Oiless 0532, 1032, 1532 Series

MODEL 0532 SERIES

20" HG MAX. VAC., 0.6 CFM OPEN FLOW 15 PSI MAX. PRESSURE

MODEL 1032 SERIES

20" HG MAX. VAC., 1.1 CFM OPEN FLOW 10 PSI MAX. PRESSURE

MODEL 1532 SERIES

20" HG MAX. VAC., 1.5 CFM OPEN FLOW 10 PSI MAX. PRESSURE

PRODUCT FEATURES

- Oilless, pulse-free operation
- Motor mounted
- Low noise levels

INCLUDES

- Low and high speed motor options
- Internal sound suppression/filtration
- Thermotector (on AC Models only)
- Capacitor (unattached)
- On board controls for motor commutation on 24V BLDC 0532
- External cooling fan on low speed 1032 (unattached)
- Sound attenuator VG2016 (unattached)

RECOMMENDED ACCESSORIES

- Vacuum relief valve AA204
- Vacuum gauge AA641
- Pressure relief valve AA203
- Pressure gauge AA644B
- Repair kit K494A (0532), K497 (1032/1532)



Product Specifications

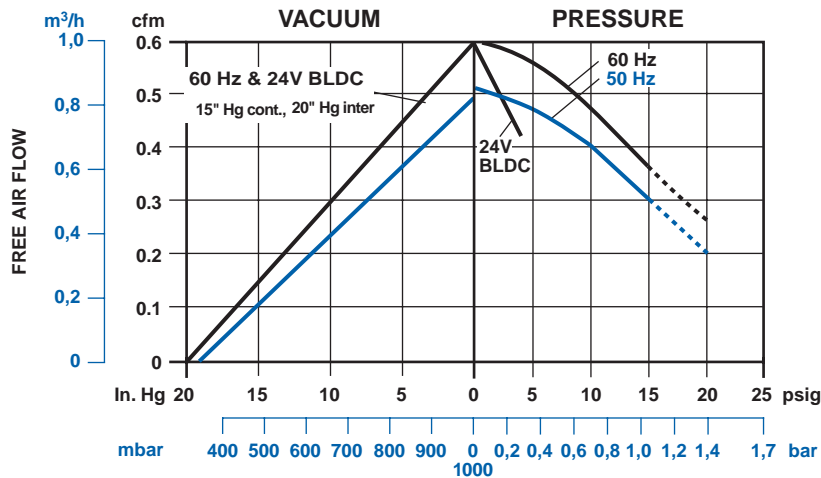
Note: All models listed can be used as either a vacuum pump or compressor.

Model Number	Motor	RPM		HP	kW	Thermotector	Net Wt.	
		60 cycle	50 cycle				lbs.	kg
0532-101-G621X	110/115-50/60-1	3450	2850	1/15	0,05	•	7	3,2
0532-101-G563B	24V BLDC	variable		1/30	0,02	•	4.5	2,1
1032-101-G619X	100-110/100-115-50/60-1	3450	2850	1/15	0,05	•	8	3,6
1032-101-G618X	220-240/230-50/60-1	3450	2850	1/15	0,05	•	8	3,6
1532-101-G288X	100-110/100-115-50/60-1	3450	2850	1/10	0,07	•	8	3,6
1532-101-G289X	220-240/230-50/60-1	3450	2850	1/10	0,07	•	8	3,6
1532-101-G617	12V DC	3450	-	1/8	0,07	•	8	3,6
1532-701-RM012*	220/240-50-1	—	2850	1/10	0,07	•	8	3,6

*Available only in Europe.

Product Performance (Metric, U.S.)

0532 Series



Note: 24V BLDC performance is at approximately 3400 rpm. Operation beyond 4000 rpm is not recommended.

1032, 1532 Series

