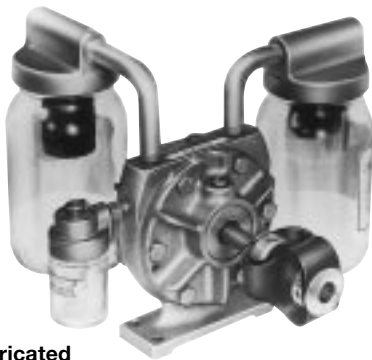


# Separate Drive Rotary Vane 1.9, 4.0 and 6.0 cfm



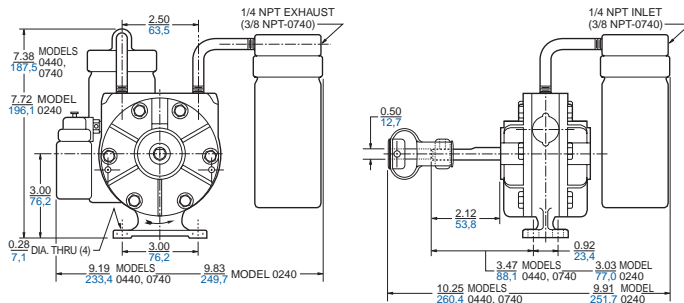
**Lubricated Vacuum Pump**



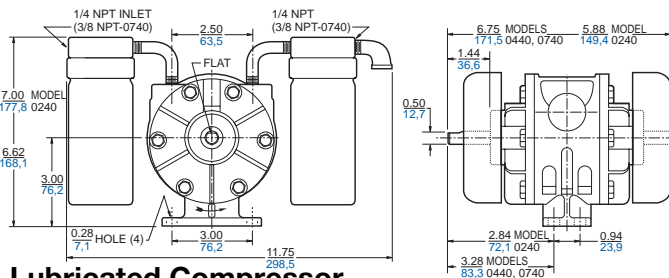
**Oilless Compressor**

**Product Dimensions (mm, inches)** Dimensions are for reference only.

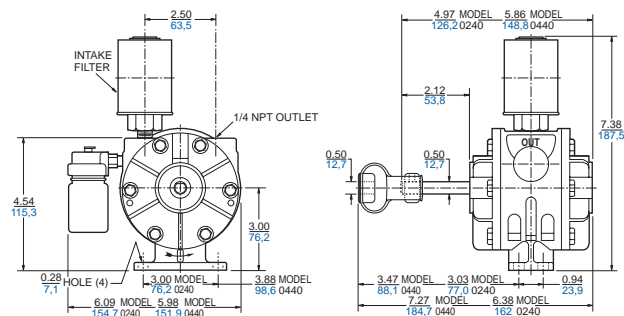
## Lubricated Vacuum Pump



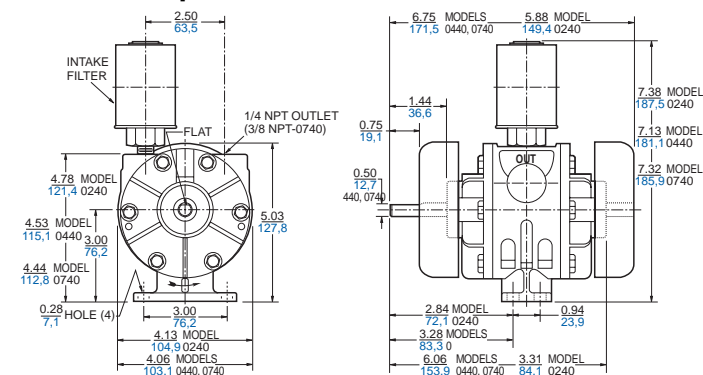
## Oilless Vacuum Pump



## Lubricated Compressor



## Oilless Compressor



## Lubricated or Oilless 0240, 0440, 0740 Series

### MODEL 0240 SERIES

#### LUBRICATED:

15" HG MAX. VAC., 1.9 CFM OPEN FLOW  
10 PSI MAX. PRESSURE

#### OILLESS:

20" HG MAX. VAC., 1.9 CFM OPEN FLOW,  
10 PSI MAX. PRESSURE

### MODEL 0440 SERIES

#### LUBRICATED:

15" HG MAX. VAC., 4.0 CFM OPEN FLOW  
10 PSI MAX. PRESSURE

#### OILLESS:

20" HG MAX. VAC., 4.0 CFM OPEN FLOW  
10 PSI MAX. PRESSURE

### MODEL 0740 SERIES

#### LUBRICATED:

10" HG MAX. VAC., 6.0 CFM OPEN FLOW  
10 PSI MAX. PRESSURE

#### OILLESS:

20" HG MAX. VAC., 6.0 CFM OPEN FLOW  
10 PSI MAX. PRESSURE

## PRODUCT FEATURES

- Lubricated or oilless operation
- Rugged construction/low maintenance
- Essentially pulse-free service

## INCLUDES

### Lubricated

- Oiler AA930B (0240/0440) AA930C (0740) – Vacuum Pumps
- Oiler AA930F – Compressors
- Coupling assembly AE541A
- Muffler V425C (0240/0440), V500D (0740)
- Filter V400C (0240/0440)
- Filter B343B – Compressors

### Oilless

- Muffler V425A (0240/0440), V525A (0740)
- Filter V400G (0240), V400C (0440), V500D (0740)
- Filter B343B – Vacuum Pump & Compressor
- Cooling fan (B340C)

## RECOMMENDED ACCESSORIES

- Base AB324 (0240), AB325 (0440/0740)
- Vacuum relief valve AA840A
- Vacuum gauge AA640
- Pressure relief valve AA205 (0240), AA600 (0440)
- Pressure gauge AA644B
- Coupling AE541A (.50" x .50") – Oilless Models
- Coupling guard AE873
- Repair kit K225A (0240) K227A (0440), K229A (0740) – Oilless Models
- Repair kit K224A (0240), K226A (0440), K228A (0740) – Lubricated Models
- Oil AD220 – Lubricated Models



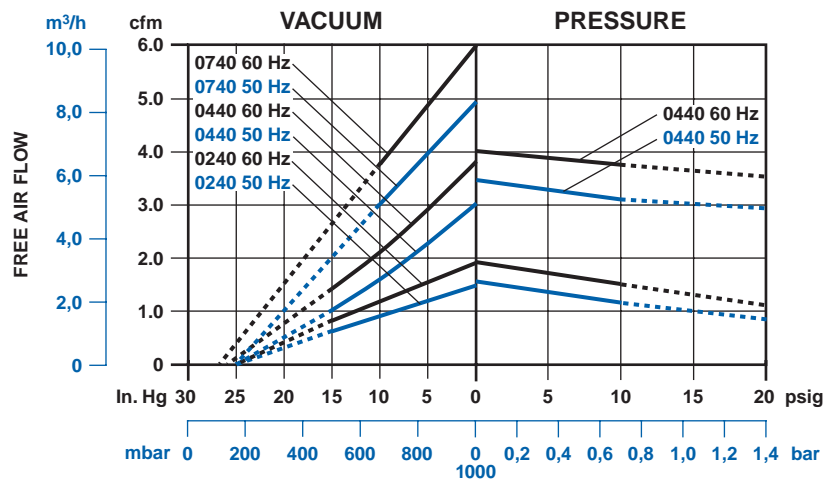
## Product Specifications

Note: "P" models are pressure, "V" models are vacuum.

| Model Number      | Motor        | RPM      |          | HP  | kW   | Coupling Guard | Base | Coupling | Net Wt. |     |
|-------------------|--------------|----------|----------|-----|------|----------------|------|----------|---------|-----|
|                   |              | 60 cycle | 50 cycle |     |      |                |      |          | lbs.    | kg  |
| <b>LUBRICATED</b> |              |          |          |     |      |                |      |          |         |     |
| 0240-P10B         | Not included | 1725     | 1425     | 1/4 | 0,19 |                |      |          | 7       | 3,2 |
| 0240-V2C          | Not included | 1725     | 1425     | 1/4 | 0,19 |                |      | •        | 9       | 4,1 |
| 0440-P11B         | Not included | 1725     | 1425     | 1/4 | 0,19 |                |      |          | 9       | 4,1 |
| 0440-V2C          | Not included | 1725     | 1425     | 1/4 | 0,19 |                |      | •        | 11      | 5,0 |
| 0740-V2A          | Not included | 1725     | 1425     | 1/3 | 0,25 |                |      | •        | 12      | 5,4 |
| <b>OILLESS</b>    |              |          |          |     |      |                |      |          |         |     |
| 0240-P103A        | Not included | 1725     | 1425     | 1/4 | 0,19 |                |      |          | 7       | 3,2 |
| 0240-V105A        | Not included | 1725     | 1425     | 1/4 | 0,19 |                |      |          | 10      | 4,5 |
| 0440-P103A        | Not included | 1725     | 1425     | 1/4 | 0,19 |                |      |          | 9.5     | 4,3 |
| 0440-V105A        | Not included | 1725     | 1425     | 1/4 | 0,19 |                |      |          | 12      | 5,4 |
| 0740-P106A        | Not included | 1725     | 1425     | 1/3 | 0,25 |                |      |          | 10      | 4,5 |
| 0740-P112B        | Not included | 1725     | 1425     | 1/3 | 0,25 | •              | •    | •        | 16      | 7,2 |
| 0740-V104A        | Not included | 1725     | 1425     | 1/3 | 0,25 |                |      |          | 12      | 5,4 |
| 0740-V114B        | Not included | 1725     | 1425     | 1/3 | 0,25 | •              | •    | •        | 20      | 9,0 |

## Product Performance (Metric, U.S.)

**Oilless**



**Lubricated**

