



Standard units ship with grilles covering fans

SAA Series

PSC 4 POLE MOTOR

30 PSI MAX. PRESSURE, 29.5" HG MAX. VACUUM
3.0 CFM OPEN FLOW

PRODUCT FEATURES

- Oilless Operation
- Motor Mounted
- Rugged construction / low maintenance
- Low noise levels

INCLUDES

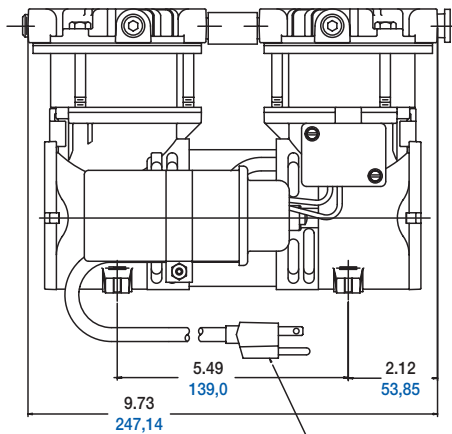
- Capacitor AH364

RECOMMENDED ACCESSORIES

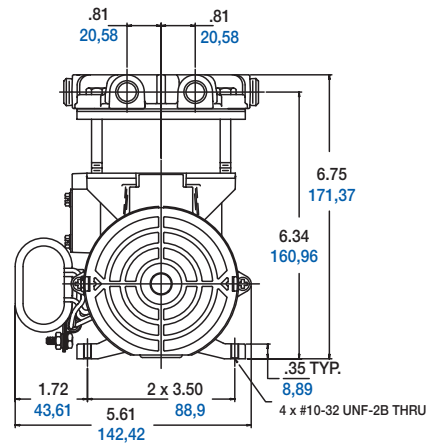
- Muffler/filter AH190
- Pressure gauge AF583/Vacuum gauge AA640
- Pressure relief valve AA205/Vacuum relief valve AA207
- (4) Rubber feet AF584A
- Repair kit(s): SAA-P107-NQ, SAA-V108-NQ - 1 each K756,K757
SAA-V109-NQ - 2 each K757

Product Dimensions (Inches, mm)

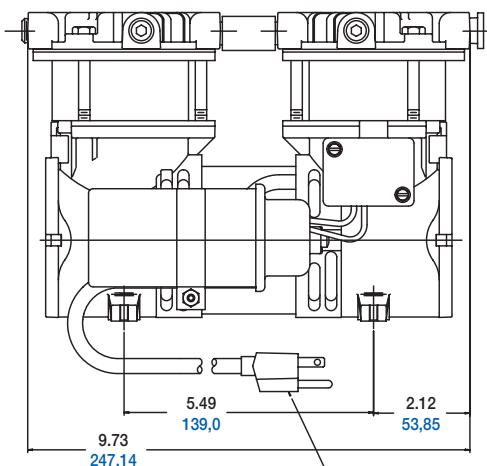
SAA-P107-NQ



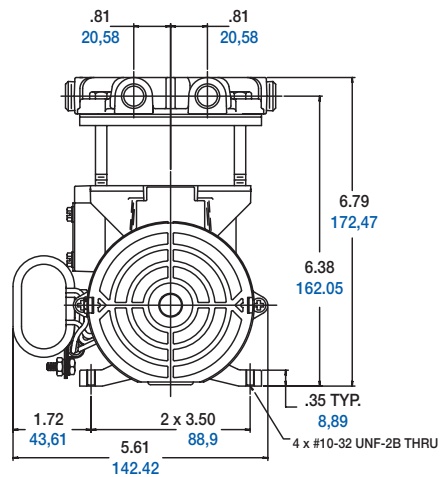
APPROX. 6 FOOT LONG CORD ASM.
NEMA 5-15P, 15A, 125 V PLUG



SAA-V108-NQ

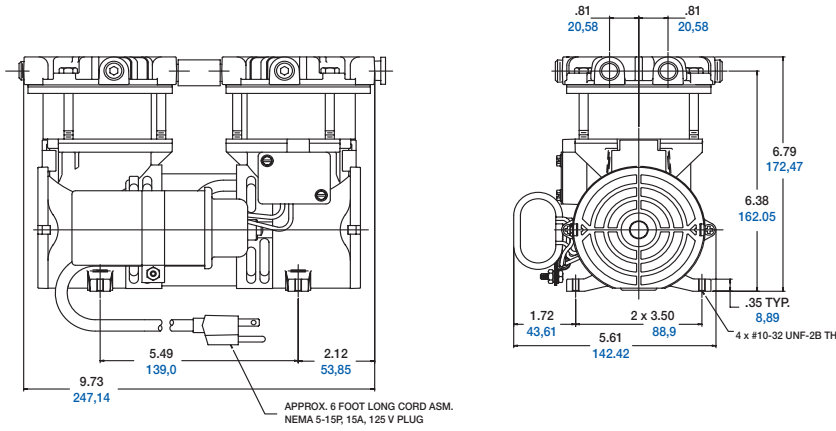


APPROX. 6 FOOT LONG CORD ASM.
NEMA 5-15P, 15A, 125 V PLUG





SAA-V109-NQ



Product Specifications "P" models are pressure; "V" models are vacuum

Model Number	Motor	Motor Type	Parallel/ Staged	RPM 60 Hz	HP	kW	lbs.	kg
•SAA-P107-NQ	115-60-1	PSC	--	1575	1/6	0,12	11,1	5,0
•SAA-V108-NQ	115-60-1	PSC	Parallel	1575	1/6	0,12	11,1	5,0
•SAA-V109-NQ	115-60-1	PSC	Staged	1575	1/6	0,12	11,1	5,0

•Capacitor included with unit

Product Performance (U.S./Imperial, [Metric](#))

