



LAB MODELS

SHADED POLE

100 PSI MAX. PRESSURE, 25 HG MAX. VACUUM
.8 CFM OPEN FLOW (60HZ)

PRODUCT FEATURES

- Oilless operation
- Motor mounted
- Rugged construction/low maintenance

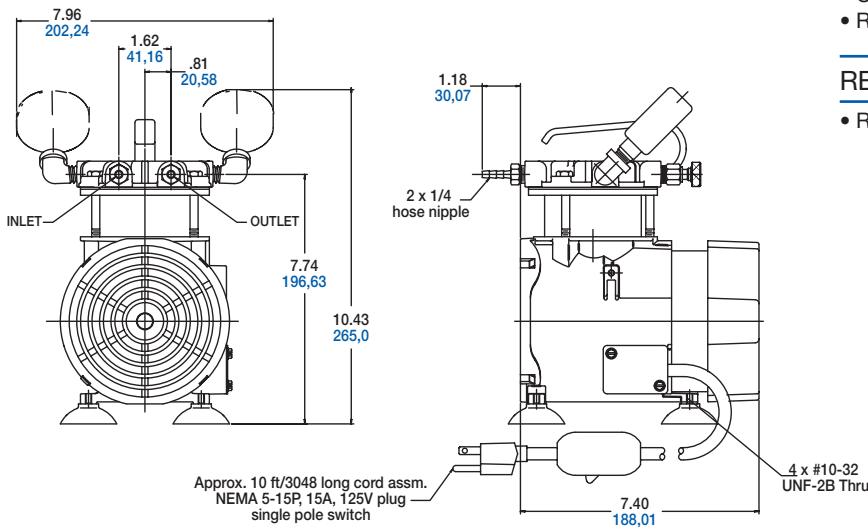
INCLUDES

- Gauges - Vacuum AE136, Pressure AA806
- Hose barbs - AG613
- Regulators - Vacuum AA550C-V, Pressure AF887
- Carrying handle - AP523A
- Rubber feet - AF584A

RECOMMENDED ACCESSORIES

- Repair kit K757

Product Dimensions (Inches, mm)



Product Specifications

Model Number	Motor	Motor Type	RPM		HP	kW	Wt	
			60 Hz	50 Hz			lbs.	kg
ROA-P104-AA	115-60-1	Shaded Pole	1725		1/8		20	7,0
ROA-P104-BN	220/240-50-1	Shaded Pole		1425	1/8	0,10	14	6,4

CNL UL listed for use in Canada CE conforms to European Standards

Product Performance (U.S., Metric)

