



LOA Series

SHADED POLE MOTOR

90 PSI MAX. PRESSURE, 25" HG MAX. VACUUM
.38 CFM OPEN FLOW

PSC MOTOR

100 PSI MAX. PRESSURE, 26" HG MAX. VACUUM
.83 CFM OPEN FLOW

DC MOTOR

100 PSI MAX. PRESSURE, 27" HG MAX. VACUUM
.62 CFM OPEN FLOW

PRODUCT FEATURES

- Oilless Operation
- Motor Mounted
- Rugged construction / low maintenance
- Low noise levels

INCLUDES

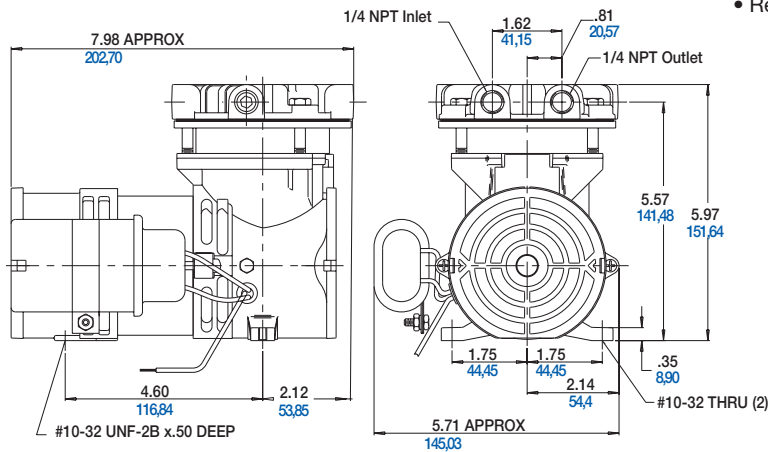
- Capacitor AG331 (HB, HD motors) AF485A (NL motor)
AH364 (NQ motor)

RECOMMENDED ACCESSORIES

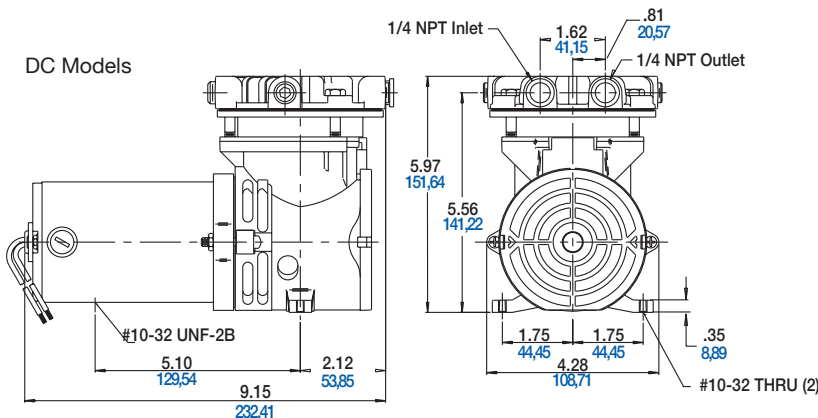
- Muffler/filters AH190
- Pressure gauge AF583 / Vacuum gauge AA640
- Pressure relief valve AF592S / Vacuum relief valve AA207
- (3) Rubber feet AF584A
- Repair Kit K476

Product Dimensions (Inches, mm)

AC Models (capacitor shipped unattached)



DC Models





Product Specification "P" models are pressure only

Model Number	Motor	Motor Type	RPM		HP	kW	lbs.	kg
			60 Hz	50 Hz				
LOA-101-AA	115-60-1	Shaded pole	1575	--	1/16	0,05	6.6	3,0
•LOA-101-HB	115/110-60/50-1	PSC	1575	--	1/16	0,05	8.6	3,9
•LOA-101-HD	230/220-60/50-1	PSC	1575	1275	1/16	0,05	8.6	3,9
•LOA-101-NL	100-50/60-1	PSC	1575	1275	1/8	0,09	7.6	3,5
•LOA-P103-NL	100-50/60-1	PSC	1575	1275	1/6	0,12	7.6	3,5
•LOA-P102-NQ	115-60-1	PSC	1575	1275	1/6	0,12	7.6	3,9
LOA-101-JR	11-15 Volt	DC	2000	--	1/10	0,07	6.6	3,0

• Capacitor included with unit

Product Performance (U.S./Imperial, Metric)

