



LAA Series

PSC MOTOR

60 PSI MAX. PRESSURE, 29" HG MAX. VACUUM
1.5 CFM OPEN FLOW

PRODUCT FEATURES

- Oilless Operation
- Motor Mounted
- Rugged construction / low maintenance
- Low noise levels

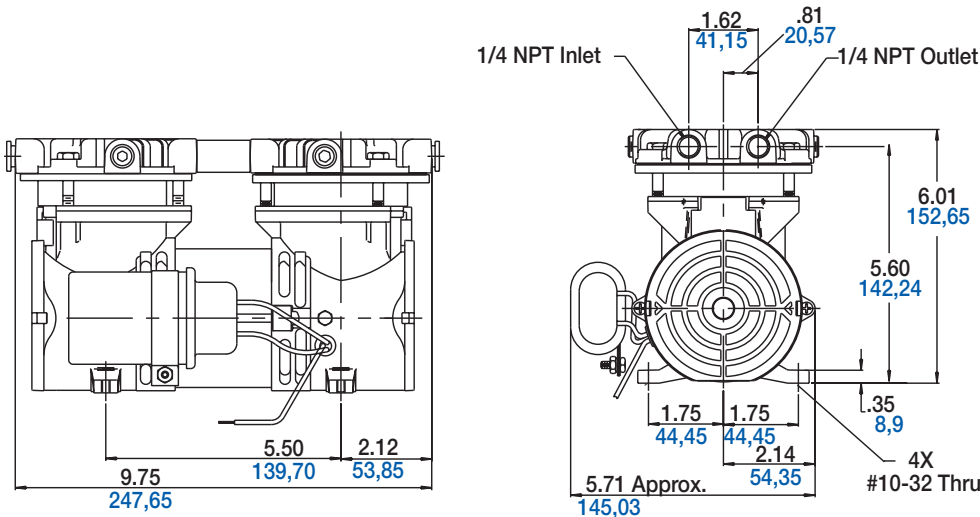
INCLUDES

- Capacitor AH364

RECOMMENDED ACCESSORIES

- Muffler/filters AH190
- Pressure gauge AF583 / Vacuum gauge AA640
- Pressure relief valve AF592S / Vacuum relief valve AA207A
- (4) Rubber feet AF584A
- Repair Kits: K767, K773 (LAA-101-NQ, LAA-V103-NQ, K767 (LAA-V104-NQ)

Product Dimensions (Inches, mm)



Product Specification "V" models are vacuum only

Model Number	Motor	Motor Type	Staged/ Parallel	RPM		HP	kW	lbs.	kg
				60 Hz	50 Hz				
•LAA-101-NQ	100-60/50-1;115-60-1	PSC	Parallel	1575	1275	1/6	0,12	11,3	5,1
•LAA-V103-NQ	100-60/50-1;115-60-1	PSC	Parallel	1575	1275	1/6	0,12	11,3	5,1
•LAA-V104-NQ	100-60/50-1;116-60-1	PSC	Staged	1575	1275	1/6	0,12	11,3	5,1

•Capacitor included with unit



Product Performance (U.S./Imperial, [Metric](#))

