



Oilless Rocking Piston 4.35 and 5.5 cfm



71R/72R Series Twin Cylinder Compressor

MODELS 71R645/71R655

25 PSI MAX. PRESSURE, 4.35 CFM OPEN FLOW

MODELS 72R645/72R655

15 PSI MAX. PRESSURE, 5.5 CFM OPEN FLOW

PRODUCT FEATURES

- Oilless operation
- All wetted aluminum parts treated for corrosion protection from moisture
- Rugged motor shell construction

INCLUDES

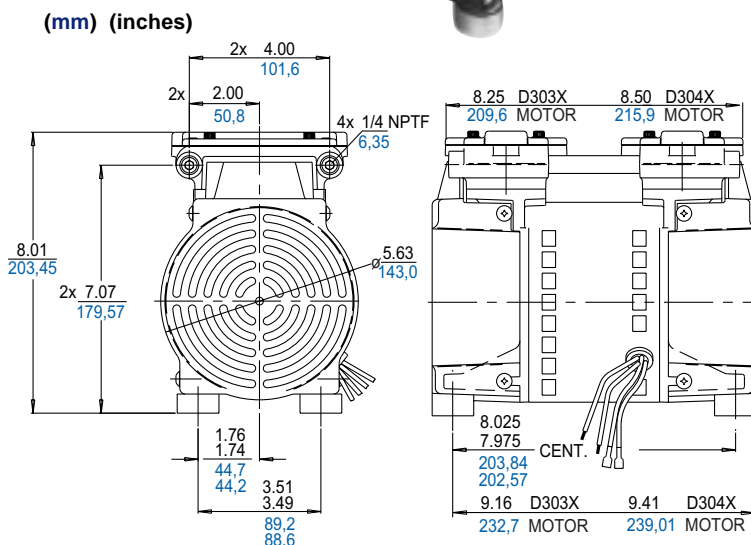
- Dry-cell capacitor AT250 (D303X Motor), AT251 (D304X Motor) - not pictured, shipped unattached
- Rubber feet (4) AB319

COMMON MOTOR OPTIONS

- 115V, 60 Hz, single phase
- 220-240V, 50 Hz, single phase

RECOMMENDED ACCESSORIES

- Relief valve AA600
- Pressure gauge AA644B

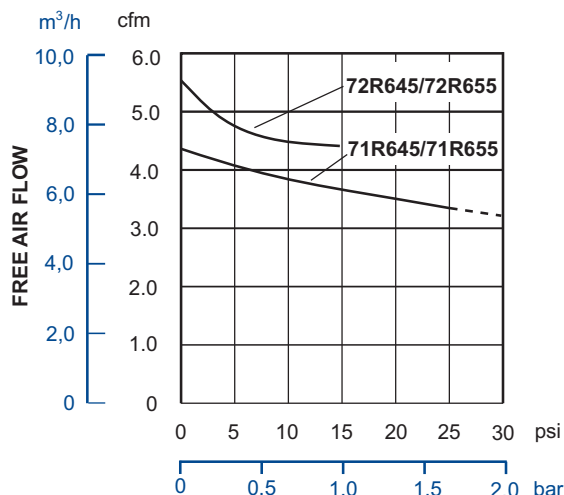


Product Specifications

Model Number	Motor	Type	RPM		HP	kw	Net Wt.	
			60 Cycle	50 Cycle			lbs.	kg
71R645-P112-D303X	115-60-1	PSC (4 Pole)	1650	-	1/3	0,25	15.6	7,09
71R655-P112-D304X	220-240-50-1	PSC (4 Pole)	-	1425	1/3	0,25	16.0	7,27
72R645-P112-D303X	115-60-1	PSC (4 Pole)	1650	-	1/3	0,25	15.6	7,09
72R655-P112-D304X	220-240-50-1	PSC (4 Pole)	-	1425	1/3	0,25	16.0	7,27

Product Performance (Metric, U.S.)

Dotted line indicates intermittent duty.



Note: Consult factory for 100 psi models.

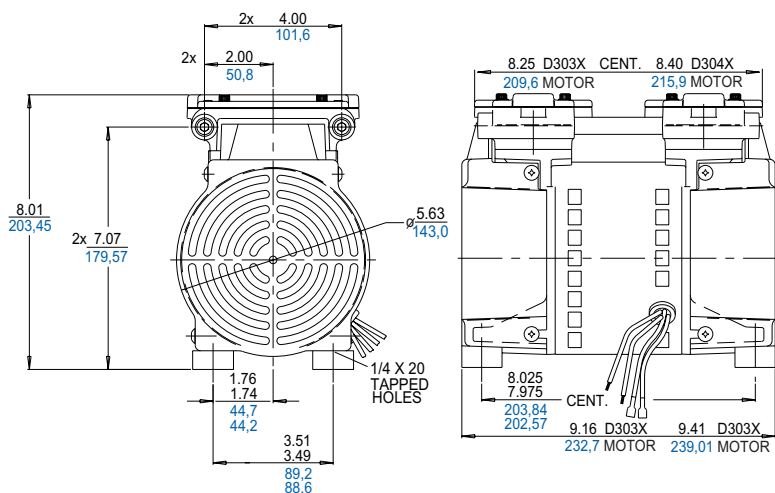


Oiless Rocking Piston 2.6, 4.5 and 5.5 cfm

71R/72R Series Twin Cylinder Vacuum Pump



(mm) (inches)



MODEL 71R645/71R655

28" HG MAX. VACUUM, 4.5 CFM OPEN FLOW

MODEL 72R547/72R555

29" HG MAX. VACUUM, 2.6 CFM OPEN FLOW

MODEL 72R645/72R655

28" HG MAX. VACUUM, 5.5 CFM OPEN FLOW

PRODUCT FEATURES

- Oilless operation
- All wetted aluminum parts treated for corrosion protection from moisture
- Rugged motor shell construction

INCLUDES

- Dry-cell capacitor AT250 (D303X Motors, AT251 (D304X Motor) - not pictured, shipped unattached
- Rubber feet (4) AB319

COMMON MOTOR OPTIONS

- 115V, 60 Hz, single phase
- 220-240V, 50 Hz, single phase

RECOMMENDED ACCESSORIES

- Relief valve AA840A
- Vacuum gauge AA640

Product Specifications

Model Number	Motor	Type	RPM		HP	kw	Net Wt.	
			60 Cycle	50 Cycle			lbs.	kg
71R645-V114-D303X	115-60-1	PSC (4 Pole)	1650	-	1/3	0,25	15.6	7,09
71R655-V114-D304X	220-240-50-1	PSC (4 Pole)	-	1425	1/3	0,25	16.0	7,27
72R547-V116-D303X	115-60-1	PSC (4 Pole)	1650	-	1/3	0,25	15.6	7,09
72R555-V116B-D304X	220-240-50-1	PSC (4 Pole)	-	1425	1/3	0,25	16.0	7,27
72R645-V114-D303X	115-60-1	PSC (4 Pole)	1650	-	1/3	0,25	15.6	7,09
72R655-V114-D304X	220-240-50-1	PSC (4 Pole)	-	1425	1/3	0,25	16.0	7,27

Product Performance (Metric, U.S.)

