



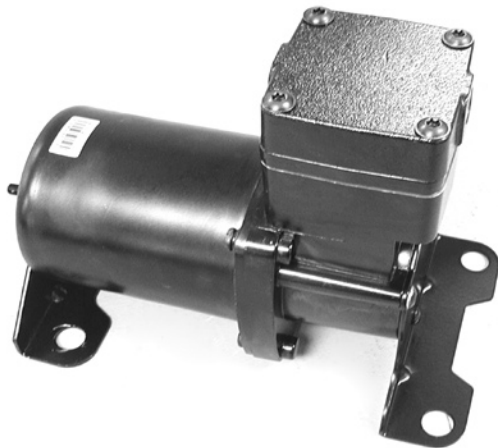
Miniature Rocking Piston 34R Series

DC MOTOR

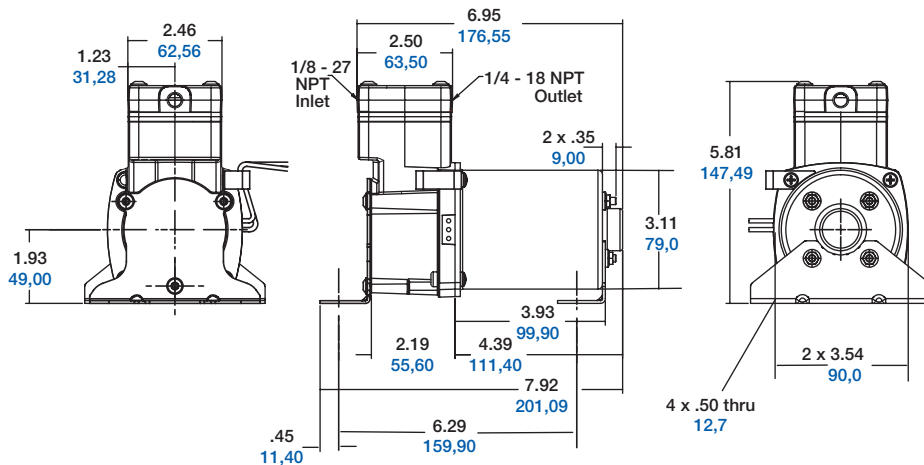
200 PSI MAX. PRESSURE, INTERMITTENT
0.8 CFM OPEN FLOW

PRODUCT FEATURES

- Oilless operation
- Motor Mounted
- All wetted aluminum parts for corrosion resistance
- IP68 rating available
- Thermal overload protector
- 4-way reversible head
- Optional standard NPT inlet and exhaust port head
- VG2016 sintered bronze inlet silencer
- Robust intermittent duty cycle
- Bulk or individual pack available



Product Dimensions (Inches, mm)

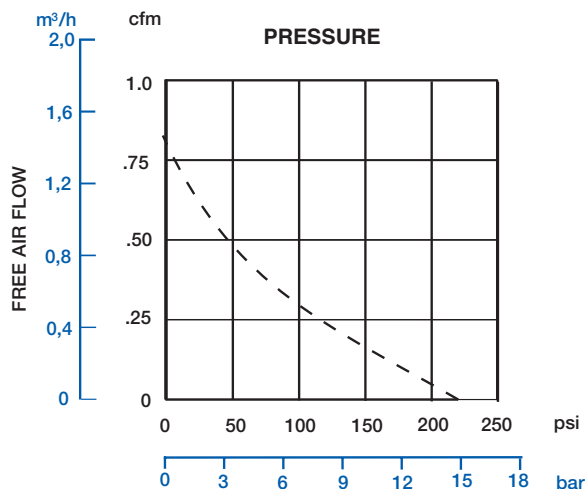


Product Specifications

Model Number	Motor	Rated Current at Rated Load (Amps)	Avg. Full Load Speed (RPM)	HP	kw	Net Wt.	
						lbs.	kg
34R156-P101-L100X	12 Volt DC	13.0	2750	1/4	0,175	6.5	3,0
*34R156-P160-L100X	12 Volt DC	13.0	2750	1/4	0,175	7.0	3,2

*Accessorized unit includes: braided hose with check valve, vibration isolators and mounting hardware

Product Performance (U.S./Imperial, Metric)



Duty cycle: At 150 psig, pump is rated for 30% duty (4.5 minutes on, 10.5 minutes off)