



Oilless Rotary Vane Pump to 0.55 cfm



Miniature Rotary Vane 0332 Series

MODEL 0332-101-G636

7 PSI MAX. PRESSURE, 0.4 CFM OPEN FLOW
12.5" HG MAX. VACUUM, 0.4 CFM OPEN FLOW

MODEL 0332-101-G637

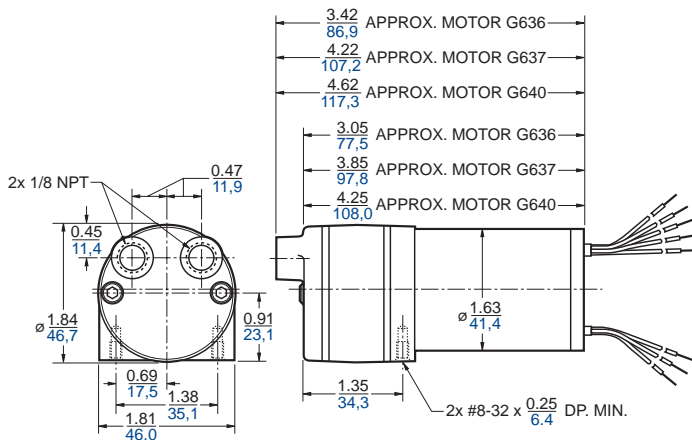
9 PSI MAX. PRESSURE, 0.4 CFM OPEN FLOW
15" HG MAX. VACUUM, 0.4 CFM OPEN FLOW

MODEL 0332-101-G640

6 PSI MAX. PRESSURE, 0.55 CFM OPEN FLOW
15" HG MAX. VACUUM, 0.55 CFM OPEN FLOW

Product Dimensions Metric (mm) U.S. Imperial (inches)

For reference only.



Product Specifications

Model Number	Motor	Running Amps	Net Wt.	
			lbs.	kg
0332-101-G636*	24V BLDC	0.6	1.31	0.59
0332-101-G637*	24V BLDC	1.2	1.56	0.70
0332-101-G640	24V DC	1.0	1.60	0.72

*These BLDC models require a motor controller – not included with the unit. Gast suggests part no. AL371.

PRODUCT FEATURES

- Pulse-free air stream
- BLDC motor – no brushes to wear out
- Oilless operation
- 30,000 hours service-free life (BLDC models)
- Low sound levels:
34-40 dB(a) at 1725 rpm
38-46 dB(a) at 3450 rpm
- Compact, high flow performance
- Low power consumption (as low as 15 watts)
- Mount in any plane

RECOMMENDED ACCESSORIES

- AL371 Motor controller (BLDC models)
- AA641 Vacuum gauge
- AA642 Pressure gauge
- AB416A Hose nipple
- Sound attenuators:
AA922G (Stone)
AK205 (Plastic)
VG2016 (Brass)
- AA922H Filter
- AA203 Pressure relief valve
- AA204 Vacuum relief valve

Product Performance (Metric, U.S. Imperial)

Note: 3500 RPM maximum (variable) on BLDC models.

