



DDL30B and 40B Series Specifically Designed for OEM Applications

MODELS DDL30B

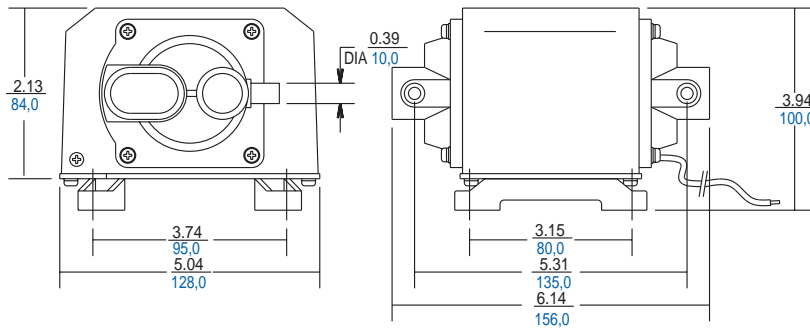
5.4 PSI MAX. PRESSURE (.37bar) 54 LPM OPEN FLOW (60 Hz)
5.1 PSI MAX. PRESSURE (.38 bar) 65 LPM OPEN FLOW (50 Hz)

MODELS DDL40B

5.9 PSI MAX. PRESSURE (.41 bar) 65 LPM OPEN FLOW (60 Hz)
5.8 PSI MAX. PRESSURE (.40 bar) 76 LPM OPEN FLOW (50 Hz)

- All models shipped with pigtail wiring
310mm or 12 inch leads
- CE In compliance with the European Community's Machinery Directive.
- Aluminum cover
- Compact for Limited Space Applications

Product Performance



Product Specifications

Model Number	Operating Voltage/ Frequency (Hz)	Max Power Watts	Sound Level dB(a)	Net Wt. lbs. kg
DDL30B-101	120-60	36	<40	6.4 2.9
DDL30B-501	230-60	36	<40	6.4 2.9
DDL30B-804	230-50	36	<40	6.4 2.9
DDL40B-101	120-60	38	<45	6.4 2.9
DDL40B-501	230-60	38	<45	6.4 2.9
DDL40B-804	230-50	38	<45	6.4 2.9

Product Performance (Metric, U.S.)

