



# Large Capacity Oilless Linear Pump

F1-60/08-03

to 187 lpm



## DDL120-DDL150 SERIES Freestanding model designed for quiet operation

### MODELS DDL120

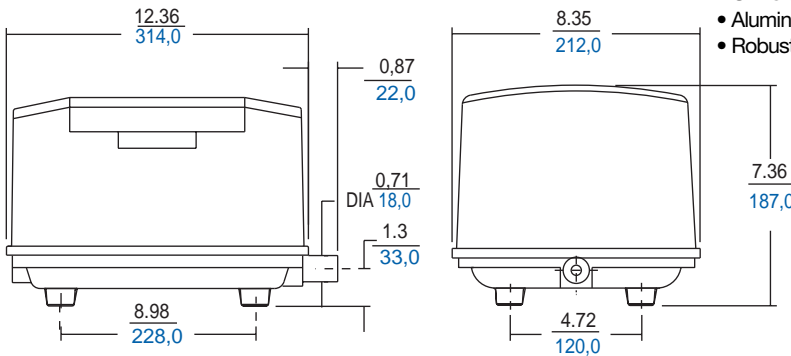
7 PSI MAX. PRESSURE (.48 bar) 167 LPM OPEN FLOW (60 Hz)  
6.1 PSI MAX. PRESSURE (.42 bar) 169 LPM OPEN FLOW (50 Hz)

### MODELS DDL150

7.1 PSI MAX. PRESSURE (.61 bar) 187 LPM OPEN FLOW (60 Hz)  
7.3PSI MAX. PRESSURE (.5 bar) 179 LPM OPEN FLOW (50 Hz)

- All 101 models include a 6 ft. cord/plug assembly
  - 501 models include a 1.8 metre cord with pigtails
  - 801 models include a 1.8 metre cord with pigtails (not shown in photo or drawing)
- Additional plug configurations available
- CE In compliance with the European Community's Machinery Directive.
- UL listed
- Aluminum housing and easy maintenance
- Robust and weather resistance

### Product Dimensions (mm, inches)



### Product Specifications

Model Number	Operating Voltage/ Frequency (Hz)	Max Power Watts	Sound Level dB(a)	Net Wt. lbs.	kg
DDL120-101	120-60	138	53	25	11.3
DDL120-501	230-60	105	53	25	11.3
DDL120-801	230-50	105	53	25	11.3
DDL150-101	120-60	137	53	26	11.8
DDL150-501	230-60	150	53	26	11.8
DDL150-801	230-50	150	60	26	11.8

### Product Performance (Metric, U.S.)

