



# Oiless Regenerative Blowers, Motor Mounted



## REGENAIR® R4H Series

### MODELS R4H3060A, R4H3060B

10.25 PSI MAX. PRESSURE, 128 cfm OPEN FLOW (60 HZ)  
13.5" HG MAX. VACUUM, 121 cfm OPEN FLOW (60 HZ)

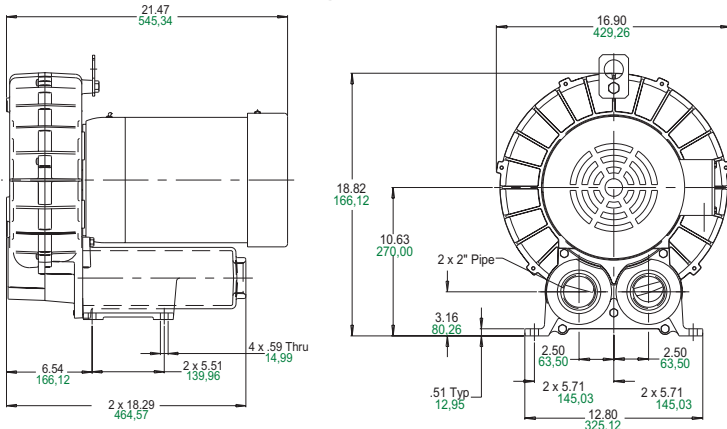
#### PRODUCT FEATURES

- Made in the U.S.A.
- Oilless operation
- UL and CSA approved TEFC motor with permanently sealed ball bearings. Class F insulation, IP54 rated enclosure
- Cast aluminum blower housing. Dual impeller and cover are cast aluminum.
- Can be mounted in any plane
- CE compliant - Declaration of Conformity on file
- Inlet and outlet have internal muffling

#### RECOMMENDED ACCESSORIES

- Pressure gauge AE133F
- Inlet filter (pressure) AJ126D
- Pressure relief valve PV102 (60 Hz), PV098 (50 Hz)
- Vacuum gauge AE134F
- Vacuum gauge for monitoring inlet filter restriction AJ497
- Vacuum relief valve AG258
- Silencer for vacuum relief valve AJ121D
- In line filter (vacuum) AJ151E
- External muffler for additional silencing AJ121F

(mm) (Inches)



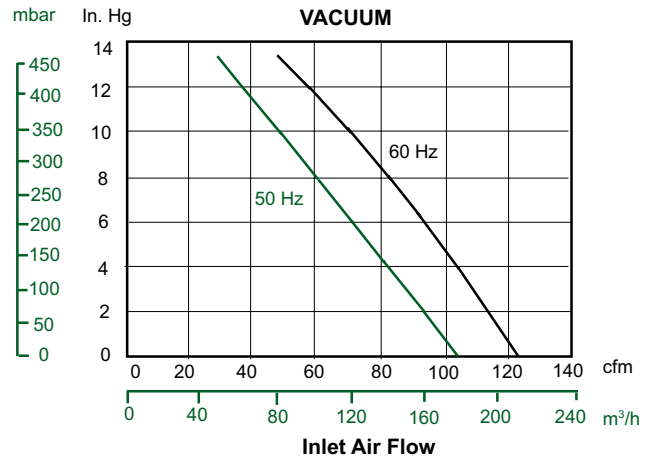
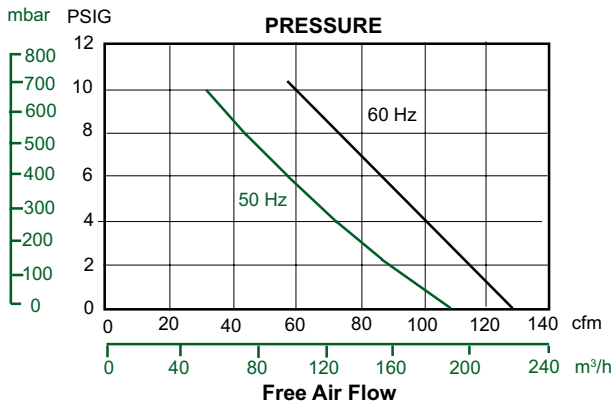
#### Product Specifications

Recommended NEMA starter size for motor - 2/1

Specifications subject to change without notice

Model Number	Motor Specs	Full Load Amps	Locked Rotor Amps	HP	KW	RPM	Max Vac		Max Pressure		Max Flow		Net Wt.	
							In. Hg	mbar	PSIG	mbar	cfm	m <sup>3</sup> /h	lbs.	kg
R4H3060A	208-230/460-60-3	19.5-18.2/9.1	83 @ 460V	6	4.50	3500	13.5	457	10.25	706.7	128	217	200	91
	190-220/380-440-50-3	16.8-16.0/8.4-8.0		5	3.75	2850	13.5	457	10	690	107	182		
R4H3060B	575-60-3	7.3	67 @ 575V	6	4.50	3500	13.5	457	10.25	706.7	128	217	200	91

#### Product Performance (Metric, U.S. Imperial)



Pressure vs. Air Temp Rise Over Ambient (°F)

PSIG	60 Hz	50 Hz
0	25	10
2	49	42
4	78	72
6	117	118
8	161	171
10	210	230
10.25	220	--

Pressure vs. K Watts Input

PSIG	60 Hz	50 Hz
0	1.88	1.12
2	2.71	1.87
4	3.58	2.58
6	4.51	3.36
8	5.42	4.14
10	6.43	5.08
10.25	6.55	--

Vacuum vs. Air Temperature Rise (°F)

In. Hg	60 Hz	50 Hz
0	24	16
2	36	29
4	51	44
6	69	65
8	90	91
10	129	127
12	168	174
13	195	202
13.5	207	212

Vacuum vs. K Watts Input

In. Hg	60 Hz	50 Hz
0	1.9	1.17
2	2.24	1.44
4	2.58	1.73
6	2.92	2.07
8	3.30	2.39
10	3.67	2.75
12	4.08	3.11
13	4.31	3.30
13.5	4.40	3.42



# Oilless Regenerative Blowers, Motor Mounted



## REGENAIR® R4H Series

**MODEL R4H3060A-1** (special vacuum model)  
**15" HG MAX. VACUUM, 121 cfm OPEN FLOW (60 HZ)**

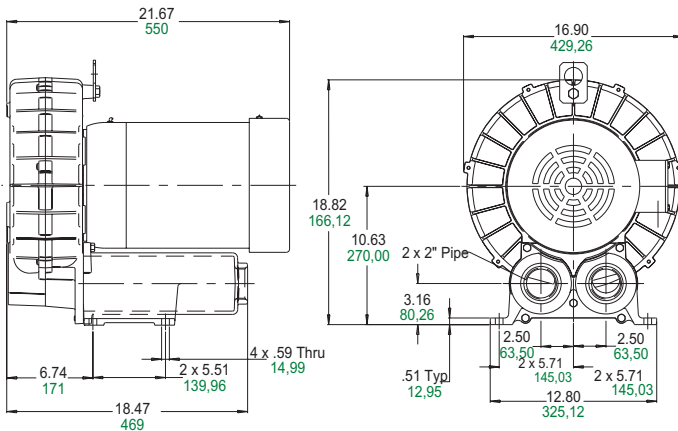
### PRODUCT FEATURES

- Made in the U.S.A.
- Oilless operation
- UL and CSA approved TEFC motor with permanently sealed ball bearings. Class F insulation, IP54 rated enclosure
- Cast aluminum blower housing. Dual impeller and cover are cast aluminum.
- Can be mounted in any plane
- CE compliant - Declaration of Conformity on file
- Inlet and outlet have internal muffling

### RECOMMENDED ACCESSORIES

- Vacuum gauge AE134F
- Vacuum relief valve AG258
- Silencer for vacuum relief valve AJ121D
- In line filter (vacuum) AJ151E
- External muffler for additional silencing AJ121F

(mm) (Inches)



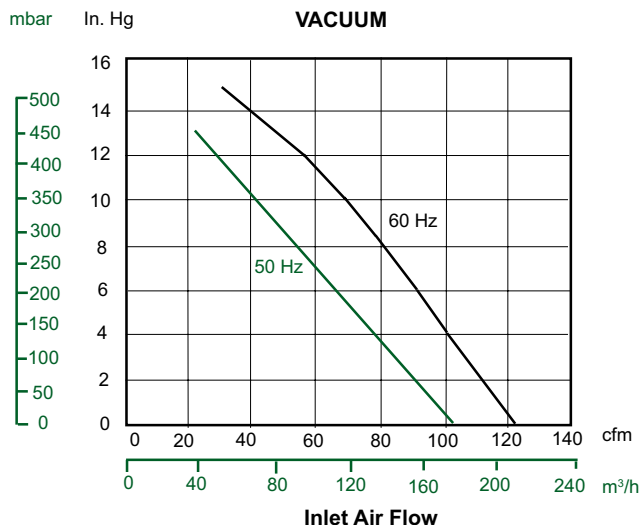
### Product Specifications

Recommended NEMA starter size for motor - 2/1

Specifications subject to change without notice

Model Number	Motor Specs	Full Load Amps	Locked Rotor Amps	HP	KW	RPM	Max Vac		Max Flow		Net Wt.	
							In. Hg	mbar	cfm	m <sup>3</sup> h	lbs.	kg
R4H3060A-1	208-230/460-60-3	19.5-18.2/9.1	83 @ 460V	6	4.50	3500	15	508	121	206	200	91
	190-220/380-440-50-3	16.8-16.0/8.4-8.0		5	3.75	2850	13	440	101	172		

### Product Performance (Metric, U.S. Imperial)



Vacuum vs. K Watts Input

In. Hg	60 Hz	50 Hz
0	1.9	1.17
2	2.24	1.44
4	2.58	1.73
6	2.92	2.07
8	3.30	2.39
10	3.67	2.75
12	4.08	3.11
13	4.31	3.30
15	4.82	--